

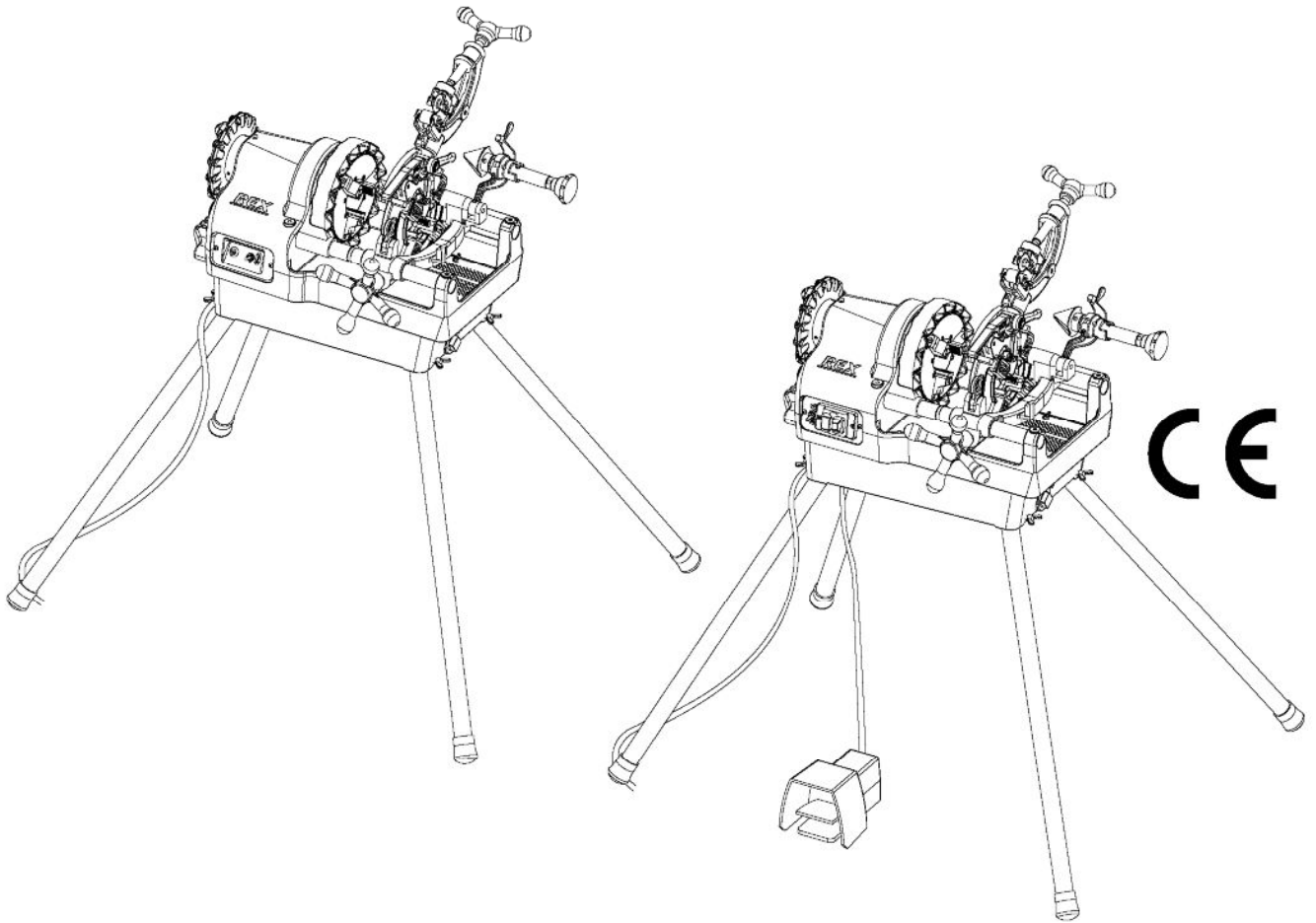
# REX

PIPE THREADING MACHINE

# NP50AV/NR50AV

## PARTS LIST

As of November 2009

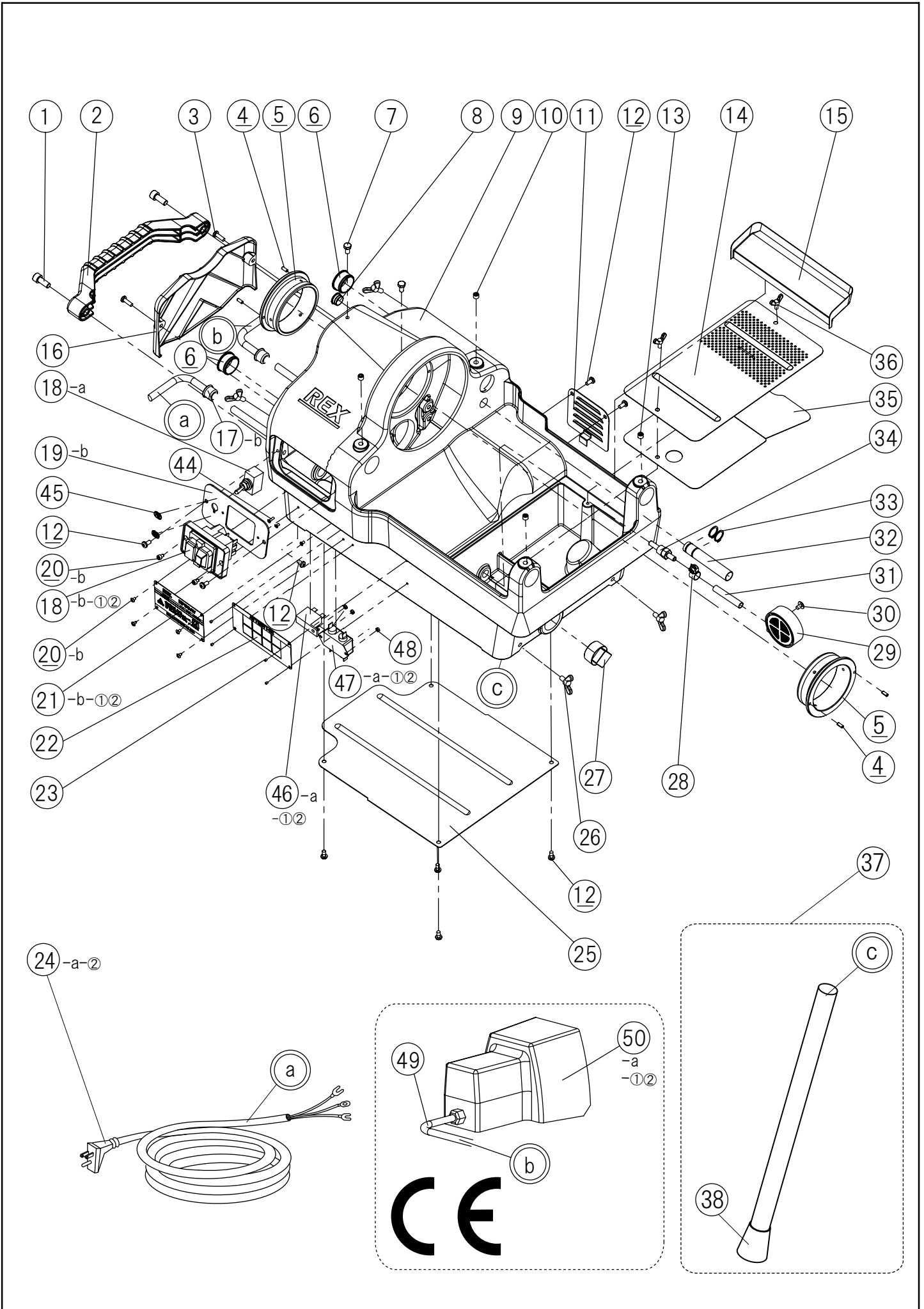


### CONTENTS

1. BASE  
BASE (CE)
2. MAIN SHAFT, MOTOR (\*Include CE)
3. MOTOR ASSEMBLY
4. CARRIAGE
5. CUTTER, REAMER

# REX

# NP50A / NR50A (CE) - 1. BASE



# NP50A / NR50A (\*Include CE) SPARE PARTS LIST

Y: YES N: NO -: NOT USED

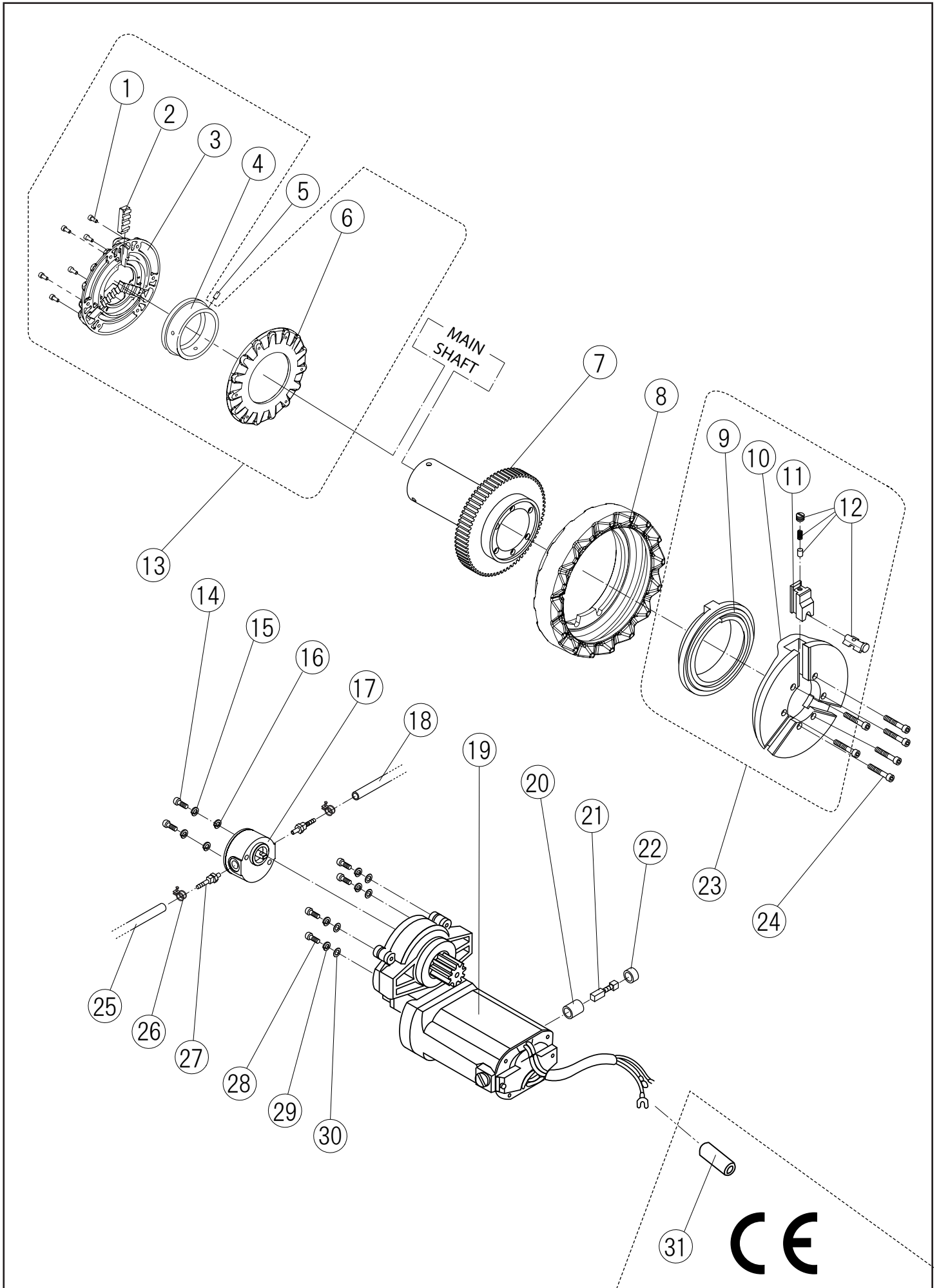
A: YES, BUT DIFFERENT COLOR

Nov.27, 2009

## 1. BASE-(\*Include CE) -

Item No.	CE	Part No.	Part Name	Spec.	Qty	EURO/pcs	Interchangeability		Remarks
							P50AV	R50AV	
1		W083	HEXAGONAL SOCKET HEAD CAP SCREW	M8×25	2	1.43	Y	Y	
2		PM62	REAR GRIP		1	17.16	N	N	
3		W051	HEXAGONAL SOCKET HEAD CAP SCREW	M5×16	2	1.43	-	-	
4		WL41	SPRING PIN	4×10	4	1.16	Y	Y	
5		PM97	MAIN SHAFT BEARING		2	99.00	N	N	
6		PM64	PIPE SUPPORT STOPPER		2	1.82	-	-	
7		J009	GREASE NIPPLE		2	2.01	Y	Y	
8		N054	CAP		1	1.43	Y	Y	
9		PM60	BASE CASTING ASSEMBLY		1	1083.50	A	A	
10		W78F	HEXAGONAL SOCKET SET SCREW	CUP POINT M8×16	2	1.43	-	-	
11		PM13	SIDE COVER		1	7.26	N	N	
12		W252	ROUND HEAD MACHINE SCREW	M5×10	9	1.43	N	N	
13		W781	HEXAGONAL SOCKET SET SCREW	CUP POINT M8×8	2	1.43	-	-	
14		PM16	SCRAP RECEIVER		1	25.58	N	N	
15		N624	OIL PAN		1	13.20	Y	Y	
16		PM61	REAR COVER		1	8.80	N	N	
17-a		PM94	CABLE GRAND		1	1.82	-	-	
17-b	•	PM94	CABLE GRAND		2	1.82	-	-	
18-a		MY20	TOGGLE SWITCH		1	36.30	N	N	
18-b-	•	PM35	ELECTROMAGNETIC SWITCH	230V / CE	1	45.38	N	N	
18-b-	•	PM76	ELECTROMAGNETIC SWITCH	115V / CE	1	45.38	N	N	
19-a		PM32	SWITCH ADAPTER PLATE		1	9.98	N	N	
19-b	•	PM40	SWITCH ADAPTER PLATE		1	9.24	N	N	
20-a		W241	ROUND HEAD MACHINE SCREW	M4× 8	4	1.43	N	N	
20-b	•	W241	ROUND HEAD MACHINE SCREW	M4× 8	6	1.43	N	N	
21-a-		PM44	NAME PLATE - NP50AV	P-type	1		N	N	
21-a-		PM52	NAME PLATE - NR50AV	R-type	1		N	N	
21-b-	•	PM71	NAME PLATE - NP50AV	P-type	1		N	N	
21-b-	•	PM53	NAME PLATE - NR50AV	R-type	1		N	N	
22		PM73	CAUTION PLATE		1	5.72	N	N	
23		WN34	RIVET	4× 5	4	1.16	Y	Y	
24-a-		4083	CABTYRE CORD	110V	1	71.50	N	N	
24-a-		PM58	CABTYRE CORD	220V	1	71.50	N	N	
25		PM14	BOTTOM COVER		1	11.83	N	N	
26		WA62	WING BOLT	M8×25	4	1.43	Y	Y	
27		WA42	DRAIN PLUG		1	7.26	Y	Y	
28		ZJ50	PIPE BAND	10mm	1	1.71	Y	Y	
29		N048	STRAINER		1	8.58	Y	Y	
30		WA55	TAPPING SCREW	M5× 8	1	1.43	Y	Y	
31		N049	OIL TUBE	55mm	1	8.58	Y	Y	
32		PM47	OIL TUBE COVER		1	2.75	-	-	
33		WW16	SNAP RING	OUTSIDE φ16	2	1.16	Y	Y	
34		T056	NIPPLE		1	8.58	Y	Y	
35		PM96	SCRAP RECEIVER B		1	11.36	-	-	
36		WA68	WING BOLT (Type )	M5×8	2	1.43	-	-	
37		N121	PIPE STAND		4	34.05	Y	Y	
38		N125	LEG CAP W/ N125 LEG CAP		4	5.72	Y	Y	
39	•	PM65	CABLE HOLE CAP	CE	1	1.82	-	-	
40		PM57	SWITCH HOLE COVER		1	1.98	-	-	
41		PM74	ON-OFF STICKER		1	1.82	-	-	
42		4081	EARTHED ADAPTER		1	13.61	-	-	W/4082C
43		4082	CAPTIRE CORD SET	115V, W/ EARTHED ADAPTER (No.42)	1set	90.75	N	N	
44		W363	FLAT HEAD SCREW	M3×12	3	1.43	-	-	
45	•	PM75	FWD, REV STICKER	CE	1set	1.82	-	-	
46-a-	•	PM93	SURGE PROTECTION SWITCH	230V	1	5.75	-	-	
46-a-	•	PM78	SURGE PROTECTION SWITCH	115V	1	8.64	-	-	
47-a-	•	PM92	ELECTROMAGNETIC FILTER	230V	1	54.45	-	-	
47-a-	•	PM77	ELECTROMAGNETIC FILTER	115V	1	77.00	-	-	
48		WC03	NUT	M3	3	1.43	-	-	
49	•	PM59	FOOT SWITCH WIRE	CE	1	17.71	-	-	
50-a-	•	PM95	FOOT SWITCH	230V / CE	1	165.00	-	-	
50-a-	•	PM79	FOOT SWITCH	115V / CE	1	220.00	-	-	

# NP50A / NR50A (\*Include CE) - 2. MAIN SHAFT, MOTOR



# NP50A / NR50A (\*Include CE) SPARE PARTS LIST

Y: YES N: NO -: NOT USED

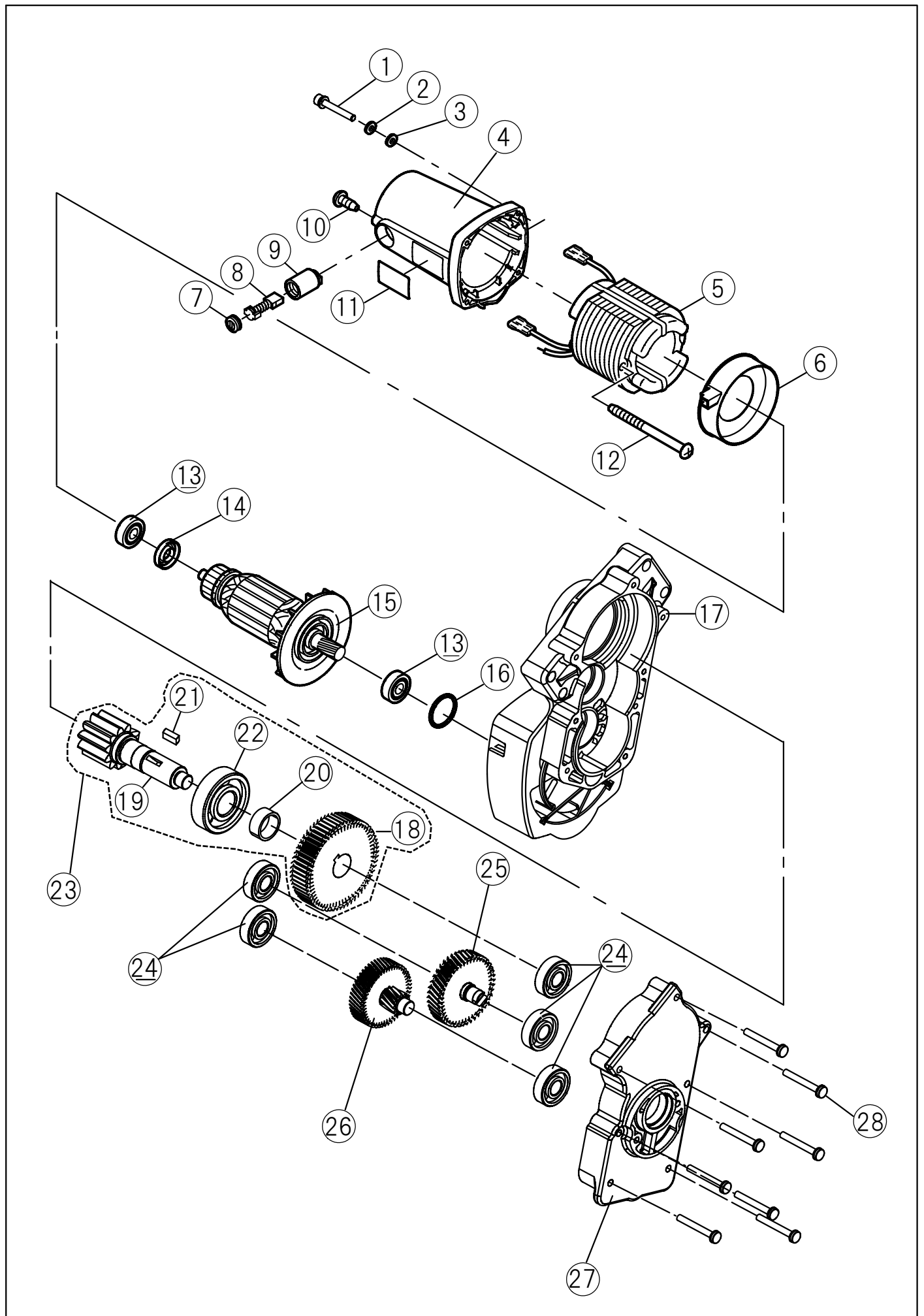
A: YES, BUT DIFFERENT COLOR

## 2. MAIN SHAFT, MOTOR-(\*Include CE) -

Nov.27, 2009

Item No.	CE	Part No.	Part Name	Spec.	Quantity	EURO/pcs	Interchangeability		Remarks
							P50AV	R50AV	
1		W053	SOCKET HEAD CAP SCREW	M5×12	6	1.43	N	N	
2		PM11	REAR CHUCK JAW	(3 PC. / SET)	1set	25.85	N	N	
3		PM09	REAR CHUCK RECEPTACLE	P-type - RED	1	85.80	N	N	
3		PM69	REAR CHUCK RECEPTACLE	R-type - BLACK	1	85.80	N	N	
4		PM10	REAR SCROLL		1	114.40	N	N	
5		WM62	ROLL PIN	6×12	3	1.16	N	N	
6		PM08	REAR CHUCK COVER	P-type - RED	1	34.38	N	N	
6		PM68	REAR CHUCK COVER	R-type - BLACK	1	34.38	N	N	
7		02NN0	MAIN SHAFT WITH GEAR		1set	354.75	N	N	
8		PM06	HAND WHEEL	P-type - RED	1	165.00	I	AI	
8		PM70	HAND WHEEL	R-type - BLACK	1	165.00	AI	I	
9		NS00	FRONT SCROLL		1	188.65	I	I	
10		NH00	CHUCK BODY		1	286.00	Y	Y	
11		NOCJS	CHUCK JAW SET WITH NO.12	(3 PC. / SET)	1set	323.13	Y	Y	
12		70KS	CHUCK JAW INSERT SET	KS-type	1set	94.33	Y	Y	
13		PM07	REAR CHUCK COMPLETE SET	P-type - RED	1set	257.40	N	N	
13		PM67	REAR CHUCK COMPLETE SET	R-type - BLACK	1set	257.40	N	N	
14		W067	HEXAGONAL SOCKET HEAD CAP SCREW	M6×40	2	1.43	N	N	
15		WG06	SPRING WASHER	M6	2	1.16	Y	Y	
16		WI61	FLAT WASHER	M6	2	1.16	-	-	
17		PM30	GEAR PUMP		1	157.30	N	N	
18		ZD12	OIL INTAKE LINE SUCTION TUBE	550mm	1	12.38	N	N	
19		PM50	MOTOR	115V 700W R/L	1	1144.00	N	N	
19		PM51	MOTOR	230V 700W R/L	1	1144.00	N	N	
20		PMM16	CARBON BRUSH HOLDER	(2 PC. / SET)	1set	24.59	N	N	
21		PMM10	CARBON BRUSH	(2 PC. / SET)	1set	23.38	N	N	
22		PMM17	CARBON BRUSH CAP	(2 PC. / SET)	1set	8.00	N	N	
23		N006	CHUCK COMPLETE SET	(K-S)	1set	797.78	Y	Y	
24		#0024	HEXAGONAL SOCKET HEAD CAP SCREW	M7×54	6	1.43	Y	Y	
25		ZD11	OIL INTAKE LINE SUCTION TUBE	700mm	1	8.58	N	N	
26		ZJ50	PIPE BAND	10mm	2	1.71	Y	Y	
27		1035	JOINT		2	3.44	Y	Y	
28		W08N	HEXAGONAL SOCKET HEAD CAP SCREW	M8×45	4	1.43	Y	Y	
29		WG08	SPRING WASHER	M8	4	1.16	Y	Y	
30		WI81	FLAT WASHER	M8	4	1.16	N	N	
31	•	PM91	FERRITE	CE	1	13.34	-	-	

# NP50A / NR50A - 3. MOTOR ASSEMBLY



# NP50A / NR50A (\*Include CE) SPARE PARTS LIST

Y: YES N: NO -: NOT USED

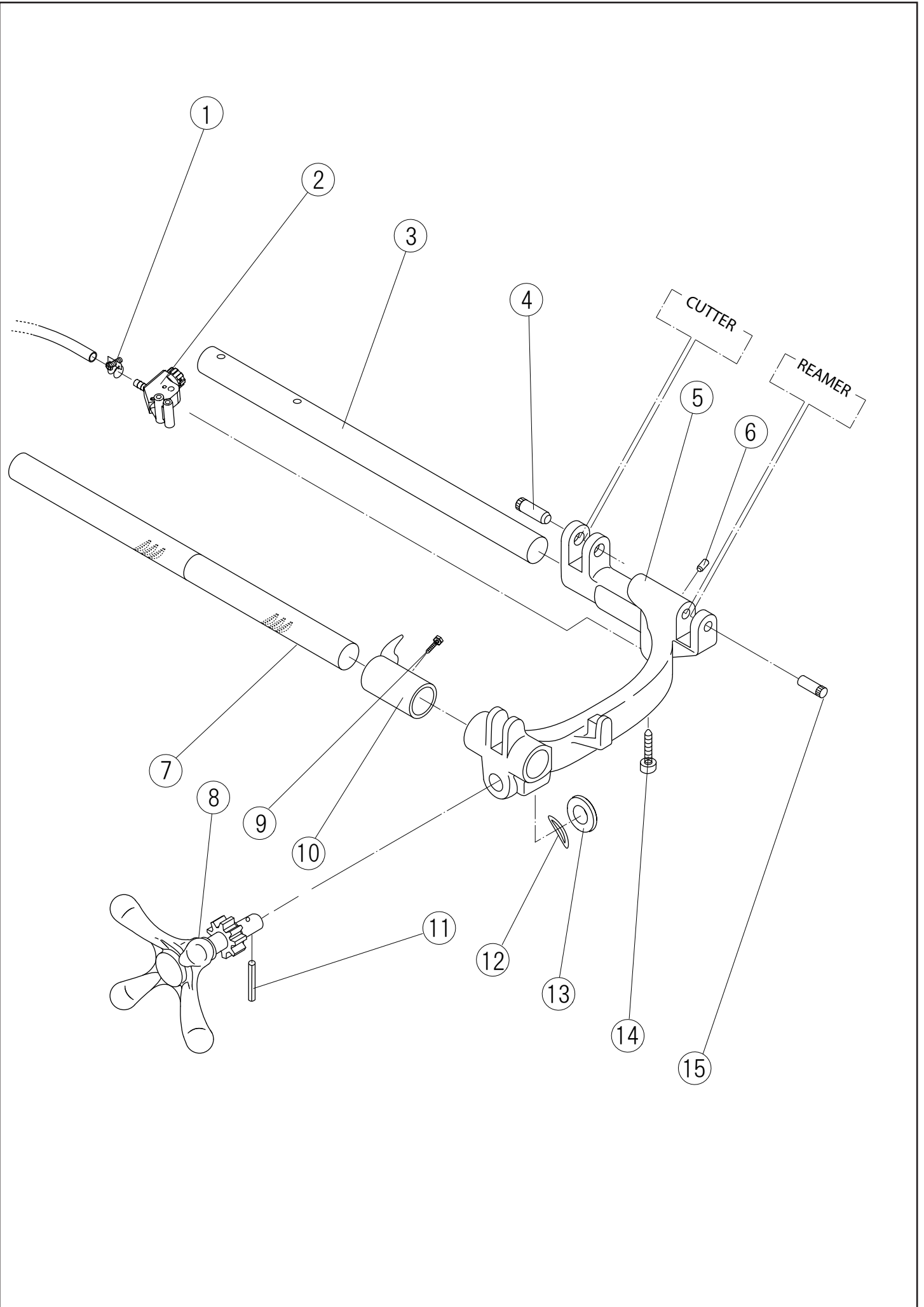
A: YES, BUT DIFFERENT COLOR

## 3. MOTOR ASSEMBLY

Nov.27, 2009

Item No.	CE	Part No.	Part Name	Spec.	Quantity	EURO/pcs	Interchangeability		Remarks
							P50AV	R50AV	
1		PMM61	HEXAGONAL SOCKET HEAD CAP SCREW	M5×30	4	1.43	N	N	
2		PMM62	SPRING WASHER	M5	4	1.16	N	N	
3		PMM63	WASHER	5.3×10×1	4	1.16	N	N	
4		PMM07	MOTOR CASE		1	122.93	N	N	
5		PMM05	STATOR ASSEMBLY	100V	1	108.63	N	N	
5		PMM06	STATOR ASSEMBLY	115V	1	108.63	N	N	
5		PMM08	STATOR ASSEMBLY	230V	1	108.63	N	N	
6		PMM09	FAN CASING		1	24.75	N	N	
7		PMM17	CARBON BRUSH CAP	(2PCS. / SET)	1 set	8.00	N	N	see No.22 on 2. Main shaft
8		PMM10	CARBON BRUSH	716SD (2 PCS. / SET)	1 set	23.38	N	N	see No.21 on 2. Main shaft
9		PMM16	CARBON BRUSH HOLDER	(2PCS. / SET)	1 set	24.59	N	N	see No.20 on 2. Main shaft
10		PMM55	TAPPING SCREW (B)	M4×14	2	1.43	N	N	
11		PMMZ1	NAME PLATE	100V	1		N	N	
11		PMMZ2	NAME PLATE	115V	1		N	N	
11		PMMZ3	NAME PLATE	230V	1		N	N	
12		PMM56	TAPPING SCREW (B)	M5×75	2	1.43	N	N	
13		PMM31	BALL BEARING	#6200LLB	2	11.44	N	N	
14		PMM32	DUST COLLAR		1	1.82	N	N	
15		PMM01	ARMATURE	100V	1	243.10	N	N	
15		PMM02	ARMATURE	115V	1	243.10	N	N	
15		PMM50	ARMATURE	230V	1	243.10	N	N	
16		PMM64	O-RING	S-32	1	1.43	N	N	
17		PMM03	GEAR CASE		1	137.23	N	N	
18		PMM11	FINAL GEAR		1	85.80	N	N	
19		PMM12	FINAL PINION GEAR		1	49.50	N	N	
20		PMM13	SPACER		1	107.80	N	N	
21		PMM14	PARALLEL KEY	5×5×14	1	1.43	N	N	
22		PMM15	BALL BEARING	#6304LLB	1	22.88	N	N	
23		PMM1S	FINAL GEAR ASS'Y	N O.18-22	1 set	267.41	N	N	
24		PMM60	BALL BEARING	#6201LLB	5	11.44	N	N	
25		PMM2S	SECOND GEAR ASS'Y		1 set	157.30	N	N	
26		PMM3S	FIRST GEAR ASS'Y		1 set	143.00	N	N	
27		PMM04	GEAR COVER		1	137.23	N	N	
28		PMM65	PHILLIPS PAN SCREW	M5×40	8	1.43	N	N	

# NP50A / NR50A - 4. CARRIAGE





# NP50A / NR50A (\*Include CE) SPARE PARTS LIST

Y: YES N: NO -: NOT USED

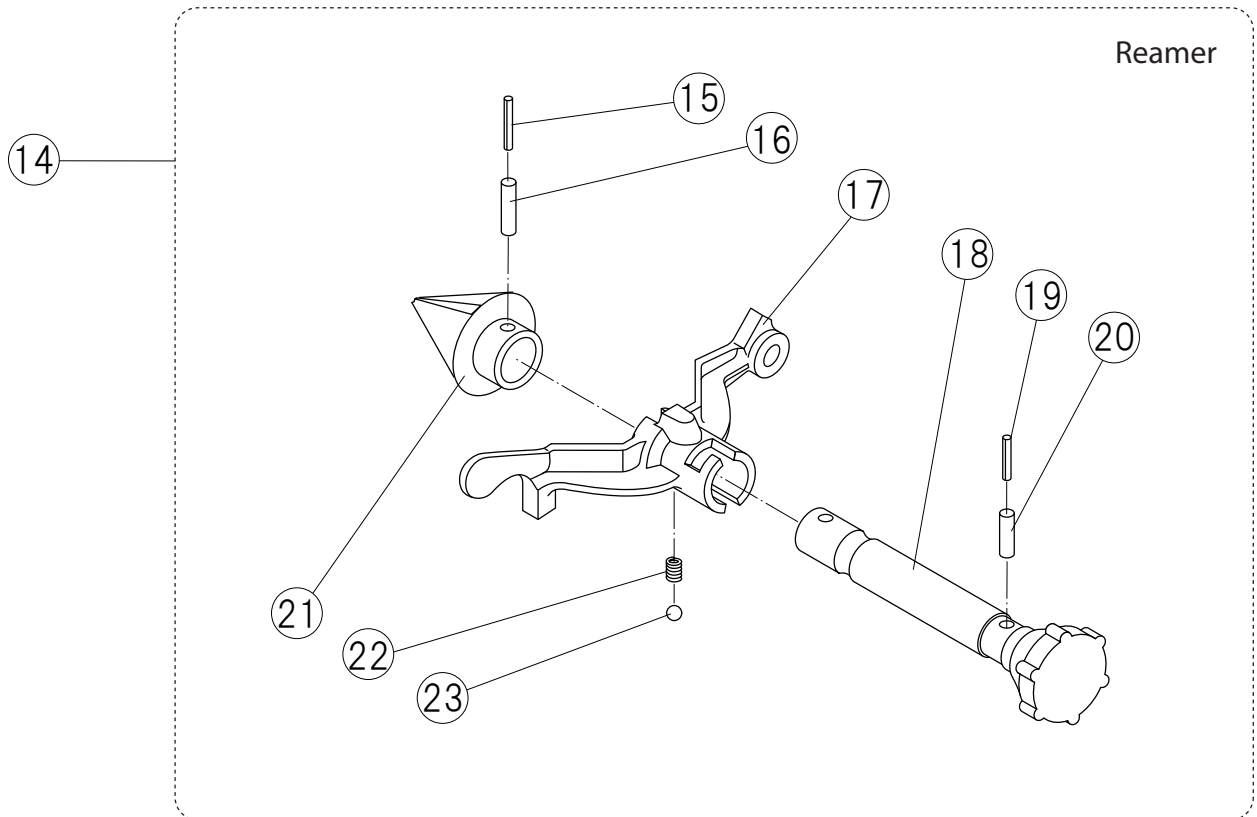
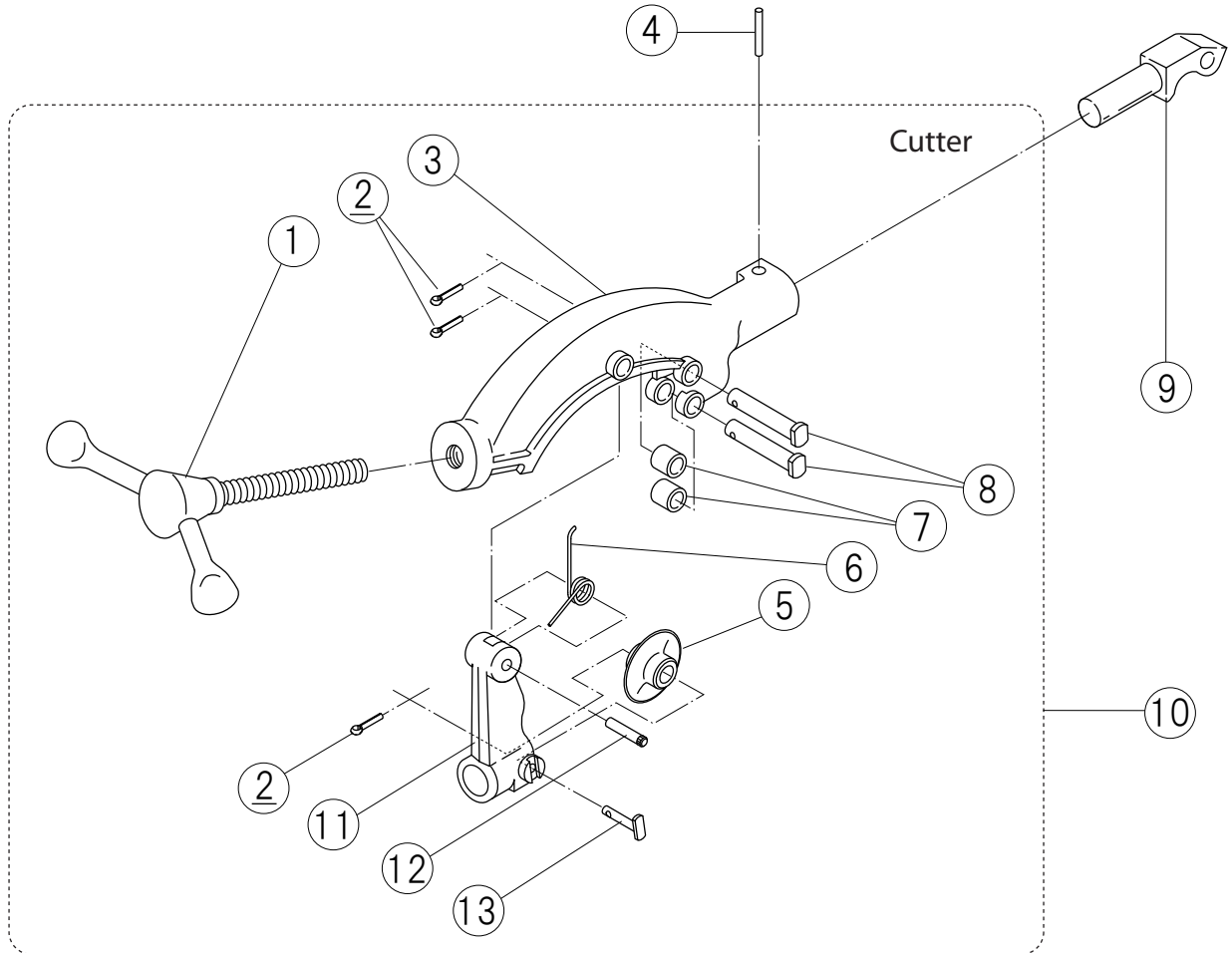
A: YES, BUT DIFFERENT COLOR

## 4. CARRIAGE

Nov.27, 2009

Item No.	CE	Part No.	Part Name	Spec.	Quantity	EURO/pcs	Interchangeability		Remarks
							P50AV	R50AV	
1		ZJ50	PIPE BAND	10mm	1	1.71	Y	Y	
2		PM55	OIL TUBE CONNECTOR		1	16.50	N	N	
3		PM04	CARRIAGE SUPPORT BAR B		1	52.25	N	N	
4		1076	CUTTER ARM STOP PIN		1	5.14	Y	Y	
5		PM88	CARRIAGE	P-type - RED	1	292.30	N	N	
5		PM89	CARRIAGE	R-type - BLACK	1	292.30	N	N	
6		G861	STOPPER	Φ10	1	5.14	Y	Y	
7		PM03	CARRIAGE SUPPORT BAR A		1	66.00	N	N	
8		PM41	CARRIAGE HANDLE	With FEED GEAR SHAFT	1	55.00	N	N	
9		W252	ROUND HEAD MACHINE SCREW	M5×10	1	1.43	Y	Y	
10		N081	SECURITY COLLAR		1	8.58	Y	Y	
11		WL54	SPRING PIN	5×20	1	1.16	N	N	
12		WH18	WAVE WASHER	18	1	1.16	N	N	
13		WI87C	FLAT WASHER	28×17×3	1	1.16	N	N	
14		W06B	HEXAGONAL SOCKET HEAD CAP SCREW	M6×25	1	1.43	N	N	
15		1096	REAMER HOLDER STOP PIN		1	2.86	Y	Y	

# NP50A / NR50A - 5. CUTTER, REAMER



# NP50A / NR50A (\*Include CE) SPARE PARTS LIST

Y: YES N: NO -: NOT USED

A: YES, BUT DIFFERENT COLOR

## 5. CUTTER, REAMER

Nov.27, 2009

Item No.	CE	Part No.	Part Name	Spec.	Quantity	EURO/pcs	Interchangeability		Remarks
							P50AV	R50AV	
1		PM43	CUTTER HANDLE WITH FEED SCREW		1	42.90	I	I	
2		WN12	SPRING COTTER	#2.3×15	3	1.43	Y	Y	
3		N020	CUTTER FRAME	P-type - RED	1	128.70	Y	A	
3		N602	CUTTER FRAME	R-type - BLACK	1	128.70	A	Y	
4		4072	CUTTER FRAME STOP PIN	SHORT	1	2.86	Y	Y	
5		5076	CUTTER WHEEL		1		Y	Y	
6		9025	SPRING		1	1.16	Y	Y	
7		5074	CUTTER ROLLER		2	7.15	Y	Y	
8		5079	CUTTER PIN	LONG	2	4.29	Y	Y	
9		N023	CUTTER ARM	P-type - RED	1	22.03	Y	A	
9		N608	CUTTER ARM	R-type - BLACK	1	22.03	A	Y	
10		ONCTPS	CUTTER COMPLETE SET	P-type - RED	1 set	286.00	I	AI	
10		ONCTRS	CUTTER COMPLETE SET	R-type - BLACK	1 set	286.00	AI	I	
11		4067	CUTTER GUIDE	P-type - RED	1	42.90	Y	A	
11		N603	CUTTER GUIDE	R-type - BLACK	1	42.90	A	Y	
12		9027	CUTTER GUIDE PIN		1	5.14	Y	Y	
13		2471	CUTTER PIN	SHORT	1	4.29	Y	Y	
14		ONRTPS	REAMER COMPLETE SET	P-type - RED	1 set	214.50	I	AI	
14		ONRTRS	REAMER COMPLETE SET	R-type - BLACK	1 set	214.50	AI	I	
15		WLA2	ROLL PIN	4.75×45	1	1.16	Y	Y	
16		WL87	ROLL PIN	8×45	1	1.16	Y	Y	
17		N025	REAMER ARM	P-type - RED	1	40.15	Y	A	
17		N605	REAMER ARM	R-type - BLACK	1	40.15	A	Y	
18		N027	REAMER SHAFT (WITH HAND GRIP)		1 set	20.02	Y	Y	
19		WLA1	ROLL PIN	4.75×35	1	1.16	Y	Y	
20		WL86	ROLL PIN	8×35	1	1.16	Y	Y	
21		PM38	REAMER CONE		1	143.00	I	I	
22		5096	SPRING	8×10	1	1.16	Y	Y	
23		WQ08	STEEL BALL	8	1	1.71	Y	Y	

# **REX**

[www.rexind.co.jp](http://www.rexind.co.jp)

## **REX INDUSTRIES CO., LTD.**

Overseas Sales Section & Factory :

1-9-3, Hishiyahigashi, Higashi Osaka 578-0948, Japan.

Tel.: 81 - 72 - 961 - 9820 Fax.: 81 - 72 - 961 - 9878

URL <http://www.rexind.co.jp>