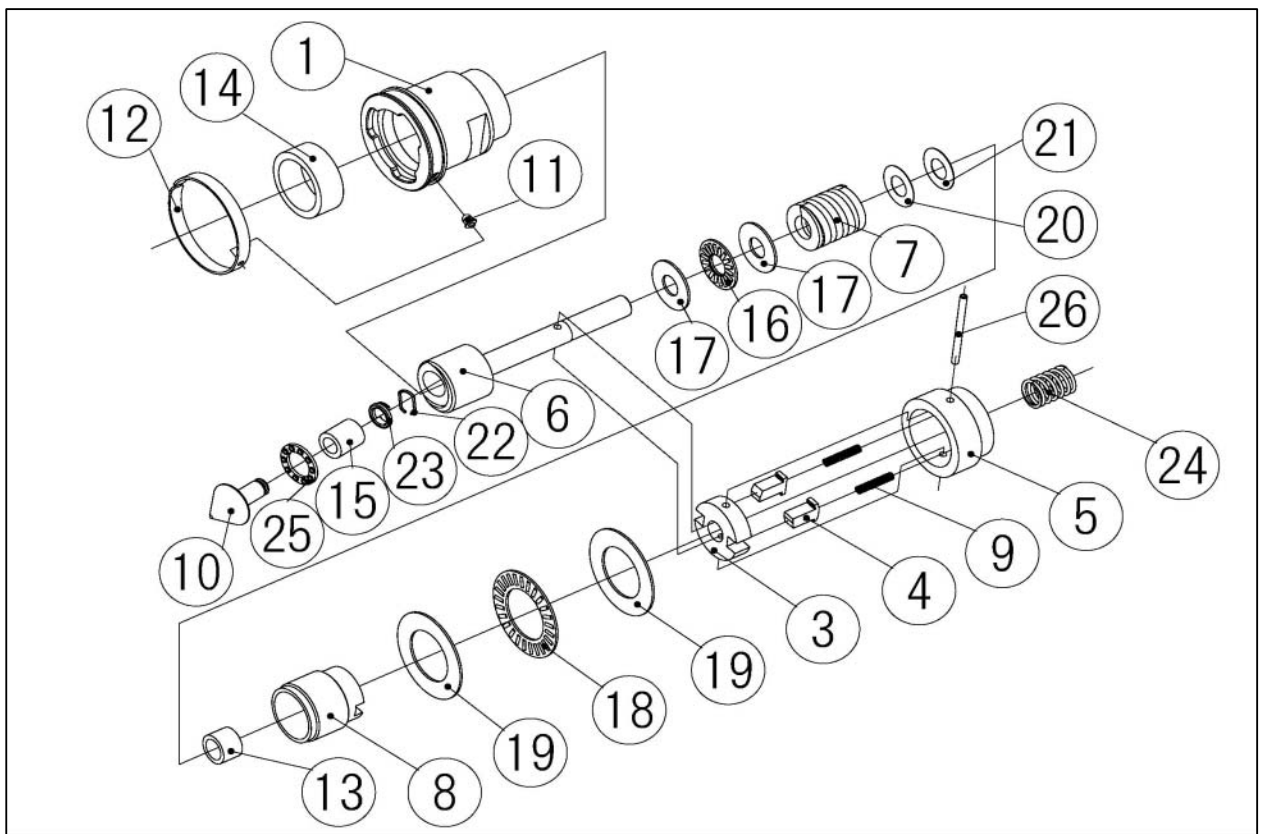


1. Main Unit and Battery (Cordless Flare RF20N)

31-1-2008

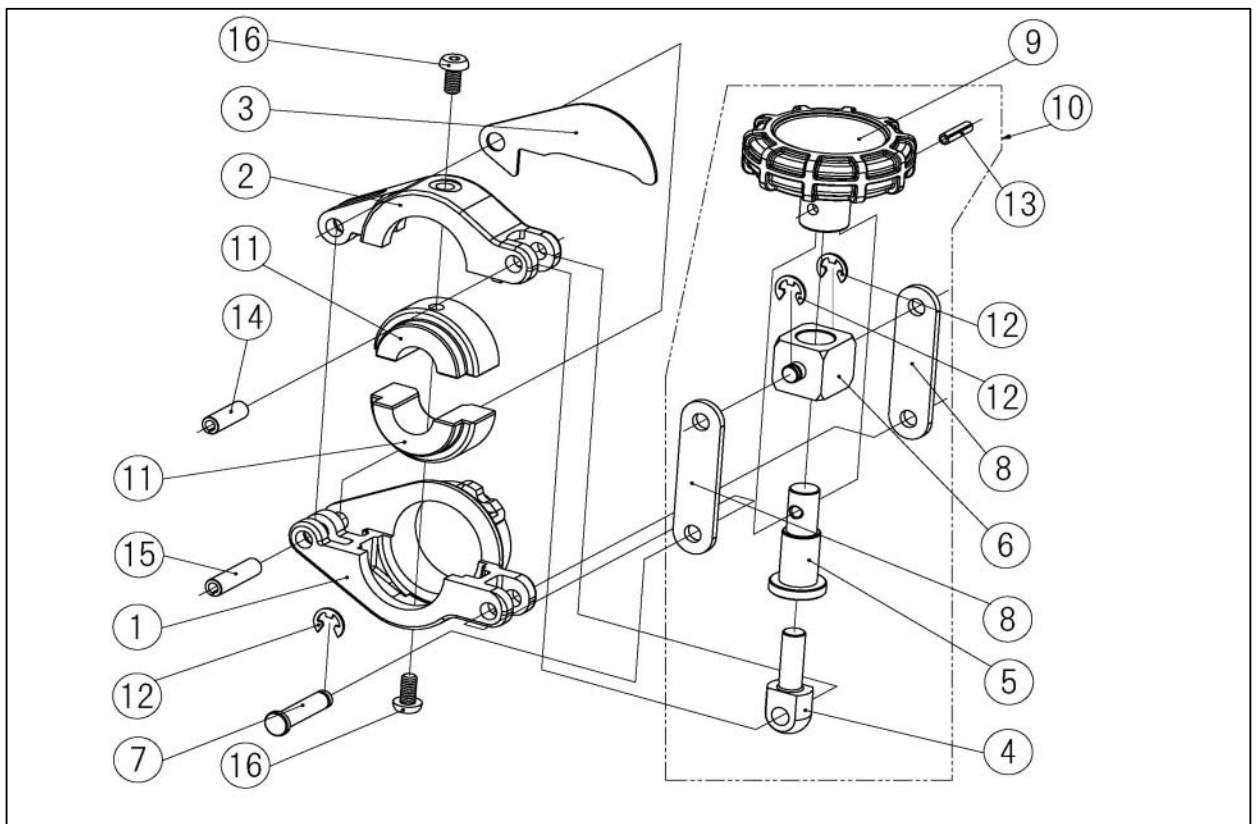
Item No.	Part No.	Part Name	Quantity	List Price	Remarks
1	DF02	Ni-cd Battery Pack	1	-	424955 Japanese 1&21
-	-	-	-	-	424954 English 1&21
2	DF31	Housing A	1	-	
3	DF32	Housing B	1	-	
-	DF31S	Housing A + B set	1 set	42.35	2&3
4	DF42	Motor	1	-	
5	DF33	First Pinion	1	-	
-	DF42S	Motor and First Pinion set	1 set	105.88	4&5
6	DF34	First Gear	1	-	
7	DF35	Second Pinion	1	-	
-	DF34S	First Gear and Second Pinion set	1 set	57.48	6&7
8	DF36	Second Gear	1	-	
9	DF37	Spline Holder	1	-	
-	DF36S	Second Gear and Spline Holder set	1 set	36.30	8&9
10	DF38	Metal A	1	2.42	
11	DF39	Metal B	1	2.42	
12	DF40	Strap	1	9.83	
13	DF41	Battery Holder	1	3.03	
14	DF43	Forward-Reverse Switch	1	57.48	
15	DF44	Bearing	1	12.55	
16	DF45	Bearing	1	7.26	
17	DF46	Tapping Screw	8	2.72	
18	DA56	Hinge Block	4	2.27	
19	9A13	Number Sticker "REX"	1	1.82	
19	2V95	Number Sticker "REX" English CE	1	2.72	
20	9A16	Name Sticker "REX"	1	2.72	
21	9A19	Ni-cd Battery Sticker Japanese	1	1.82	
21	2V56	Ni-cd Battery Sticker English	1	1.82	
22	DF01	Main Unit	1 set	756.25	2-18



2. Flaring Device Unit (Cordless Flare RF20N)

31-1-2008

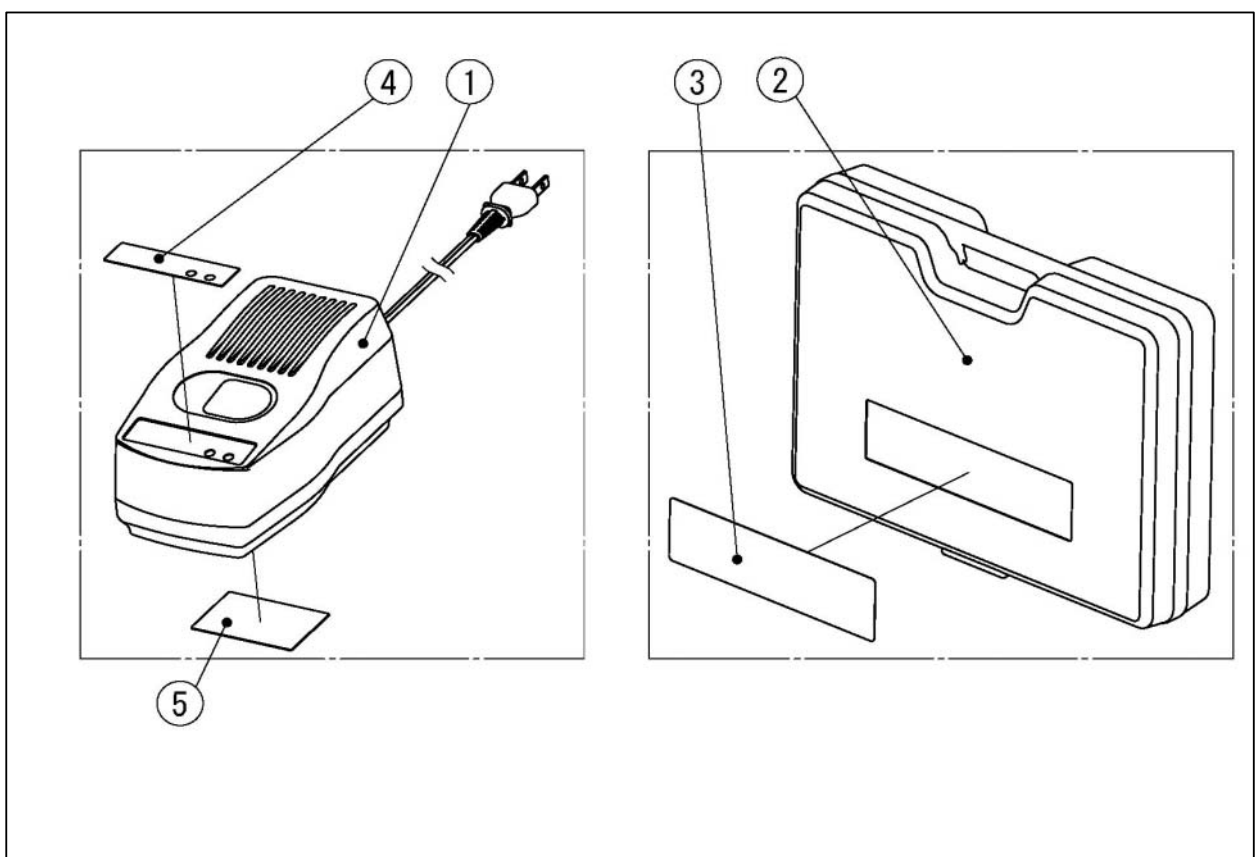
Item No.	Part No.	Part Name	Quantity	List Price		Remarks
1	DF05	Flare Holder	1	83.19		
2	-	-	-	-		
3	DF07	Clutch Pin Holder	1	16.64		
4	DF08	Clutch Pin	2	6.05		
5	DF09	Clutch Pin Cover	1	11.34		
6	DF10	Main Shaft	1	54.45		
7	DF11	Pressure Spring	1	9.08		
8	DF30	Feed Screw	1	24.81		
9	DF13	Clutch Pin Spring	2	1.82		
10	DF14	Flare Cone	1	48.40		
11	DF15	Clamp Notch	1	2.72		
12	DF16	Clamp Notch Spring	1	5.45		
13	DF21	Needle Bearing	1	5.45		
14	DF22	Needle Bearing	1	15.13		
15	DF23	Needle Bearing	1	11.34		
16	DF24	Needle Bearing	1	9.08		
17	DF25	Thrust Washer	2	2.27		
18	DF26	Needle Bearing	1	8.32		
19	DF27	Thrust Washer	2	3.03		
20	DF28	Shim Ring	1	1.82		
21	DF29	Shim Ring	1	1.82		
22	DA04	Cone Spring	1	1.82		
23	DA05	Spring Holder	1	4.54		
24	DA11	Wire Spring B	1	1.82		
25	DA32	Thrust Bearing	1	8.47	*	Changed
26	WL3D0	Spring Pin	1	1.82		



3. Clamp (Cordless Flare RF20N)

31-1-2008

Item No.	Part No.	Part Name	Quantity	List Price	Remarks
1	DF51	Clamp A	1	30.25	
2	DF52	Clamp B	1	24.20	
3	DF53	Stopper Plate	1	2.27	
4	DF54	Clamp Bolt	1	4.54	
5	DF55	Clamp Bolt Holder	1	6.05	
6	DF56	Hinge Block	1	9.08	
7	DF57	Clamp Pin	1	1.82	
8	DF58	Clamp Link	2	1.82	
9	DF59	Knob	1	7.56	
10	DF60	Toggle Set	1 set	24.20	
11	DA9A	Liner (6.35)	2	-	424850
11	DA9B	Liner (9.53)	2	-	424852
11	DA9C	Liner (12.7)	2	-	424853
11	DA9D	Liner (15.88)	2	-	424854
11	DA9E	Liner (19.05)	2	-	424855
12	WY040	Retaining Ring E-type	3	1.82	
13	WL340	Spring Pin	1	1.82	
14	WL5C0	Spring Pin	1	1.82	
15	WL540	Spring Pin	1	1.82	
16	W04E0	Socket Button Head Cap Screw	2	1.82	



4. Charger and Case (Cordless Flare RF20N)

31-1-2008

Item No.	Part No.	Part Name	Quantity	List Price	Remarks
1	DF03	Charger for Ni-Cd Battery 100-110V	1	-	424956 (1,4&5)
1	DF19	Charger for Ni-Cd Battery 220V	1	-	424960 (1,4&5)
2	DF04	Carrying Case	1	-	424957 (2&3)
3	9A10	Carrying Case Sticker "Rex"	1	9.08	
4	9A20	Sticker A for Charger Ni-Cd Japanese	1	1.82	
4	-	Sticker A for Charger Ni-Cd English	-	-	
5	9A59	Sticker B for Charger Ni-Cd Japanese	1	1.82	
5	-	Sticker B for Charger Ni-Cd English	-	-	
-	9A32	Operation Manual Japanese	1	-	
-	9A74	Operation Manual English	1	-	