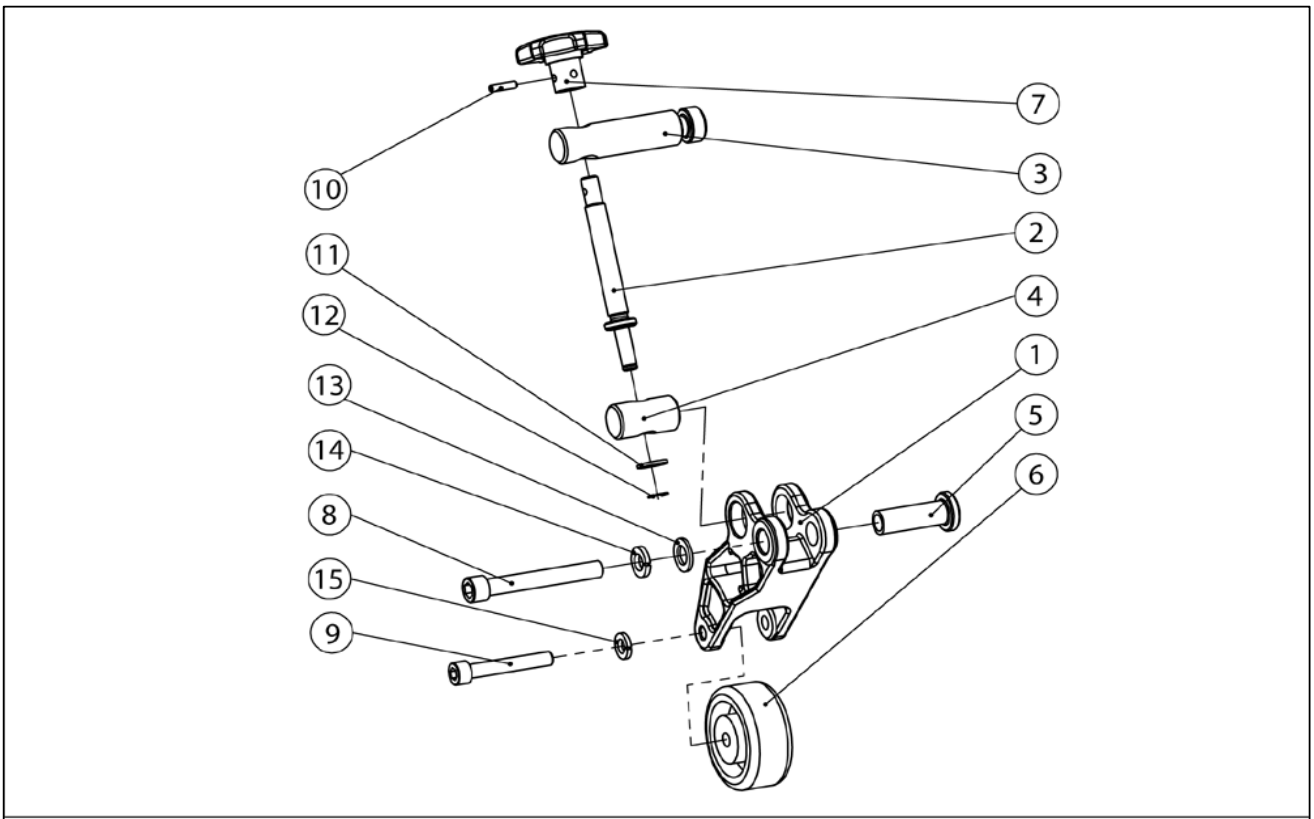


PORTABLE GROOVER H

1 . ROLLER HOLDER

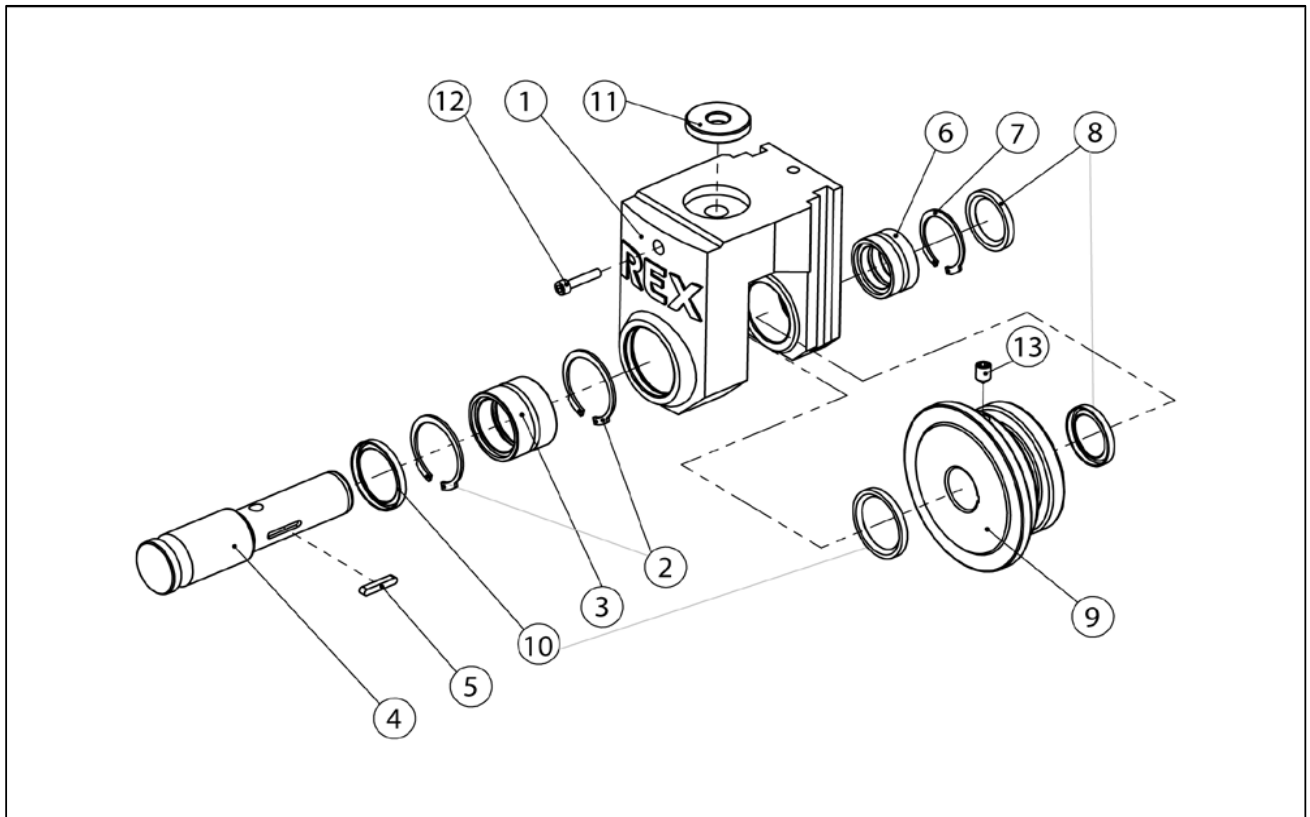


2010.5.14

Item No.	Part No.	Part Name	Spec	Quantity	KW list price EURO	Remarks
1	RE03	Roller holder		1	119.49	
2	RE05	Feed screw		1	40.84	
3	RE06	Roller holder pin A		1	33.28	
4	RE07	Roller holder pin B		1	36.16	
5	RE08	Roller holder collar		1	38.72	
6	RX77	Roller		1	92.26	
7	RJ92	Knob		1	45.38	
8	W190	Socket head cap screw	M12 x 90/ Half thread	1	1.43	
9	W00A	Socket head cap screw	M10 x 65/ Full thread	1	1.43	
10	WL54	Roll pin	5 x 20	1	1.16	
11	WI01	Flat washer	10	1	1.16	
12	WY07	E-ring	7	1	1.16	
13	WZG3	Washer	12/ Black	1	1.16	
14	WG12	Spring washer	12	1	1.16	
15	WG10	Spring washer	10	1	1.16	

PORTABLE GROOVER H

2 . ROLLER SUPPORT

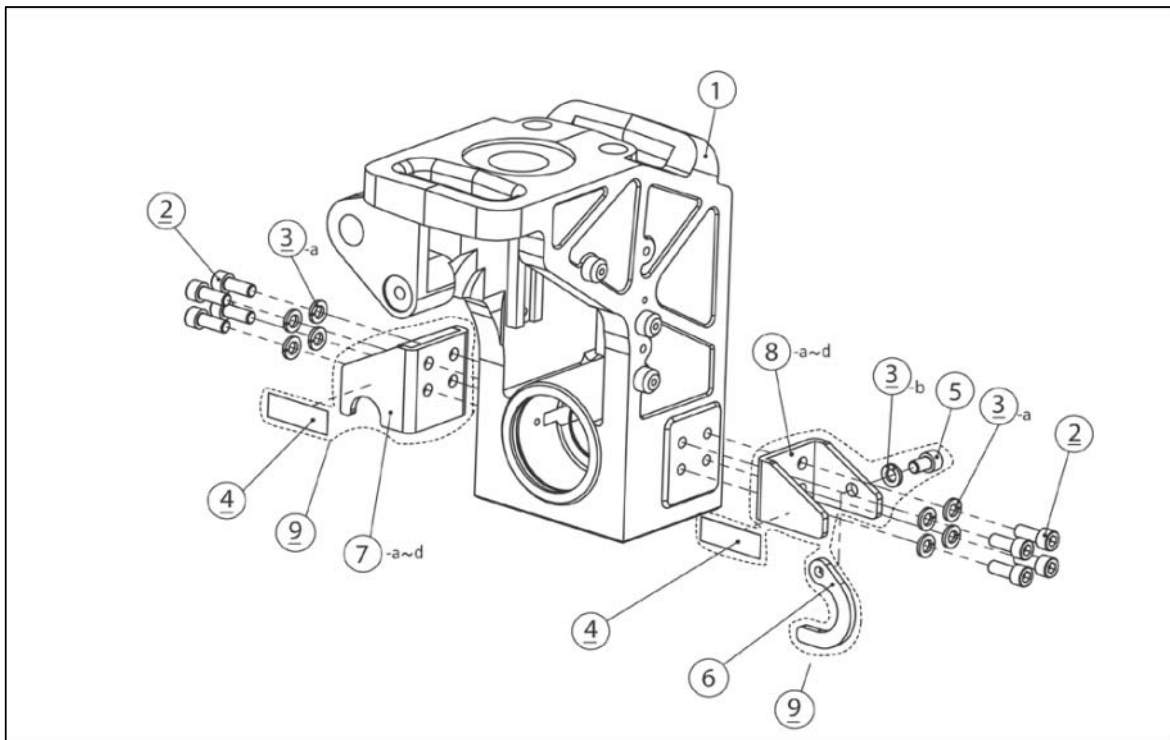


2010.5.14

Item No.	Part No.	Part Name	Spec	Quantity	KW list price EURO	Remarks
1	RE02	Roller support		1	559.63	
2	WZ52	Snap ring	1RTW52	2	5.91	
3	RJ52	Needle bearing	RNA6932	1	114.95	
4	RJ10	Roller shaft		1	151.25	
5	RJ20	Roller key		1	13.61	
6	RJ53	Needle bearing	RNA5928	1	104.36	
7	WZ45	Snap ring	1RTW45	1	4.24	
8	RJ58	Oil seal	AF1876E0	2	8.33	
9	RJL1	Upper roller		1	317.63	
10	RJ57	Oil seal	AF2340F0	2	8.33	
11	RE10	Washer		1	14.22	
12	W065	Socket head cap screw	M6 x 30	1	1.43	
13	W695	Socket set screw	M10 x 15 / Cup point	1	1.43	

PORTABLE GROOVER H

3 . MOUNT BASE



<STANDARD COMMON PARTS ; MOUNT BASE 50 / 80 / 100 / #300>

2010.5.14

Item No.	Part No.	Part Name	Spec	Quantity	KW list price EURO	Remarks
1	RE01	Head stock		1	1769.63	
2	W002	Socket head cap screw	M10 x 25	8	1.43	
3-a	WG10	Spring washer	M10	8	1.16	

+

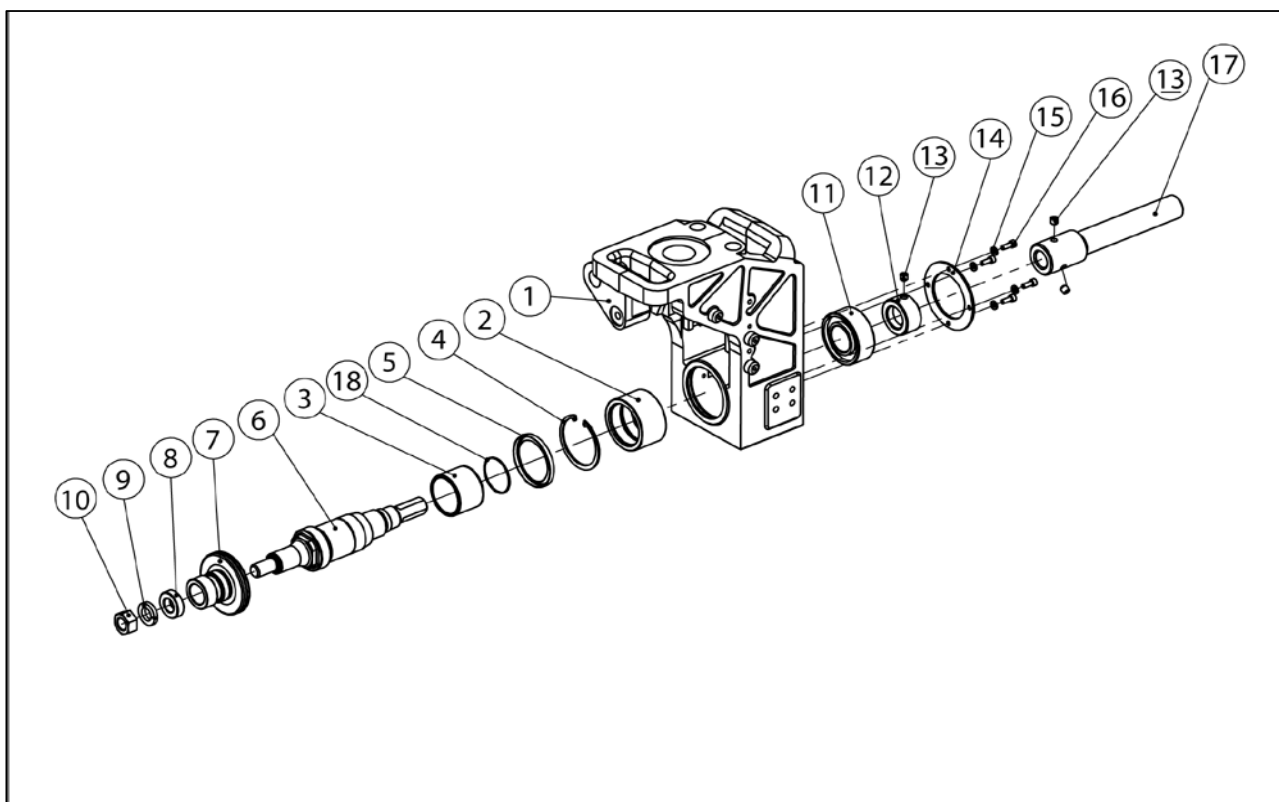
<OPTION : MOUNT BASE KIT 50 / 80 / 100 / #300>

2010.5.14

Item No.	Part No.	Part Name	Spec	Quantity	KW list price EURO	Remarks
3-b	WG10	Spring washer	M10	1	1.16	OPTION COMMON PARTS
4-a	5V64	Mount kit seal for 50		2	-	
4-b	5V65	Mount kit seal for 80		2	-	
4-c	5V66	Mount kit seal for 100		2	-	
4-d	5V67	Mount kit seal for #300		2	-	
5	W191	Socket head cap screw	M10 x 16	1	1.43	
6	RE32	Hook		1	46.89	
7-a	RE33	Base 50 Right		1	80.16	341560 M-HR1
8-a	RE34	Base 50 Left		1	50.88	MOUNT BASE
7-b	RE35	Base 80 Right		1	84.70	341561 M-HR2
8-b	RE36	Base 80 Left		1	49.91	MOUNT BASE
7-c	RE37	Base 100 Right		1	96.80	341562 M-HR3
8-c	RE38	Base 100 Left		1	55.96	MOUNT BASE
7-d	RE41	Base #300 Right		1	90.75	341563 M-HE1
8-d	RE42	Base #300 Left		1	55.96	MOUNT BASE
9-a	341560	Mount base kit 50		1 Set	-	No. 4 ~ 8
9-b	341561	Mount base kit 80		1 Set	-	No. 4 ~ 8
9-c	341562	Mount base kit 100		1 Set	-	No. 4 ~ 8
9-d	341563	Mount base kit #300		1 Set	-	No. 4 ~ 8

PORTABLE GROOVER H

4 . MAIN SHAFT

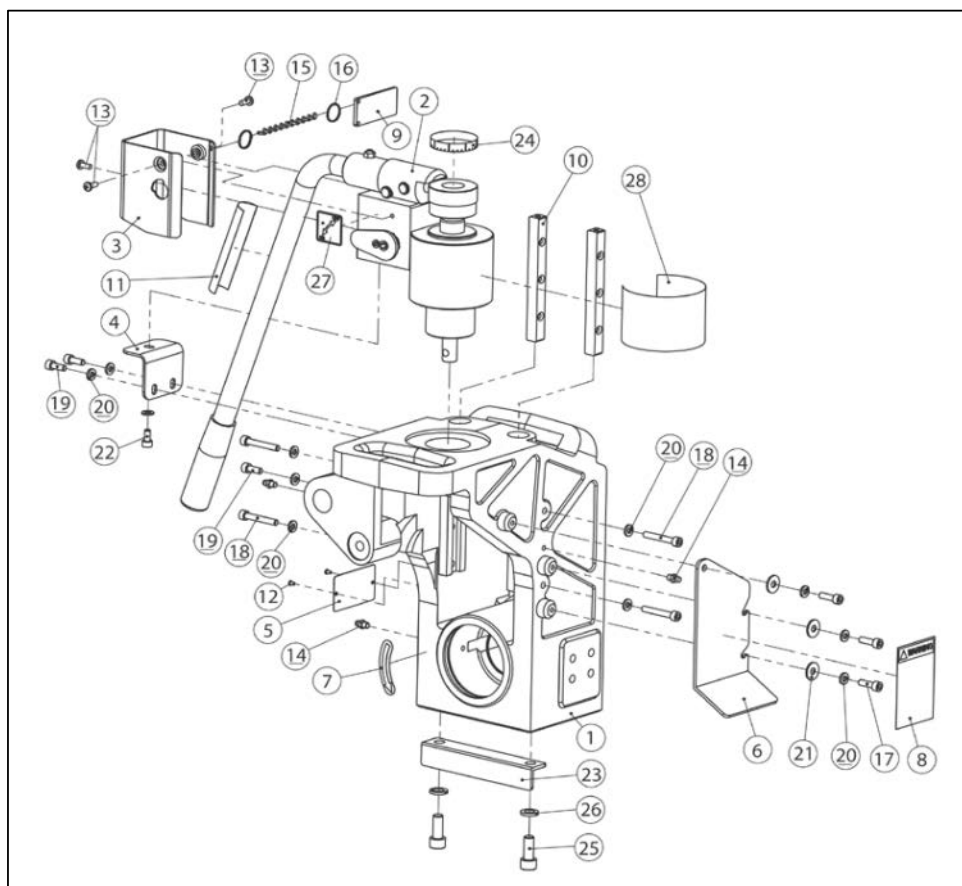


2010.5.14

Item No.	Part No.	Part Name	Spec	Quantity	KW list price EURO	Remarks
1	RE01	Head stock		1	1769.63	
2	RJ51	Needle bearing		1	121.00	
3	RE14	Needle ring		1	121.00	
4	WX80	C-type retaining ring		1	9.85	
5	RJ56	Oil seal		1	15.13	
6	RE04	Main shaft		1	453.75	
7	RJL2	Lower roller	2 - 6"	1	332.75	
8	RJ96	Roller washer		1	15.13	
9	WG20	Spring washer	M20	1	1.16	
10	WC20	Hexagon nut	M20	1	1.43	
11	RJ54	Ball bearing		1	130.08	
12	RE09	Main shaft set nut		1	39.33	
13	W702	Socket set screw	cup point M10 x 10	2	1.43	
14	RE11	Bearing plate		1	51.43	
15	WG06	Spring washer	M6	4	1.16	
16	W062	Socket set screw	M16 x 16	4	1.43	
17	RM05	Connecting shaft		1	82.50	
18	RE15	Circlip		1	3.03	

PORTABLE GROOVER H

5 . HEAD STOCK



2010.5.14

Item No.	Part No.	Part Name	Spec	Quantity	KW list price EURO	Remarks
1	RE01	Head stock		1	1769.63	
2	RE18	Pump	RXGB - 6A	1	2767.88	
3	RE12	Pump cover		1	317.63	
4	RE13	Pump fixing plate		1	25.71	
5	RN16	Name plate		1	6.05	
6	RE17	Protective cover		1	58.99	
7	RE19	Arrow sticker		1	5.75	
8	RE20	Caution sticker		1	10.89	
9	RJ47	Spacer		1	48.40	
10	RJ09	Slide key		2	48.40	
11	7A12	Pump sticker		1	-	
12	WN34	Rivet		2	1.16	
13	W265	Round head machine screw		3	1.43	
14	J009	Grease nipple	M6	3	2.01	
15	U577	Chain		1	3.63	
16	U576	Key ring	20	2	3.63	
17	W063	Socket head cap screw	M6 x 20	3	1.43	
18	W067	Socket head cap screw	M6 x 20	4	1.43	
19	W062	Socket head cap screw	M6 x 16	3	1.43	
20	WG06	Spring washer	M6	11	1.16	
21	WI63	Flat washer	6 x 19 x 1.6	3	1.16	
22	W061	Socket head cap screw	M6 x 12	1	1.43	
23	RE22	Angle base		1	25.71	
24	6A63	Scale sticker		1	4.24	
25	W002	Socket head cap screw	M10 x 25	2	1.43	
26	WG10	Spring washer	M10	2	1.16	
27	5V61	PG-H ON-OFF sticker		1	-	
28	5V62	PG-H caution sticker		1	-	