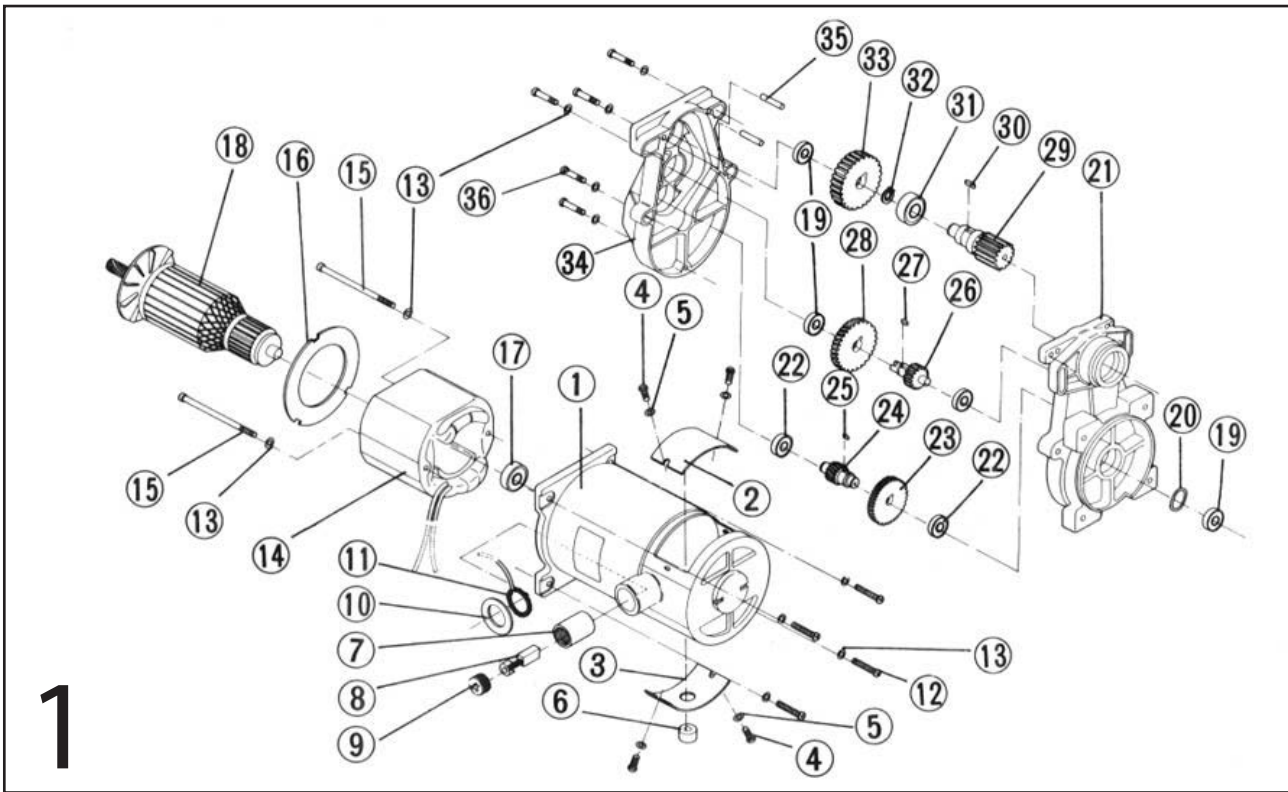
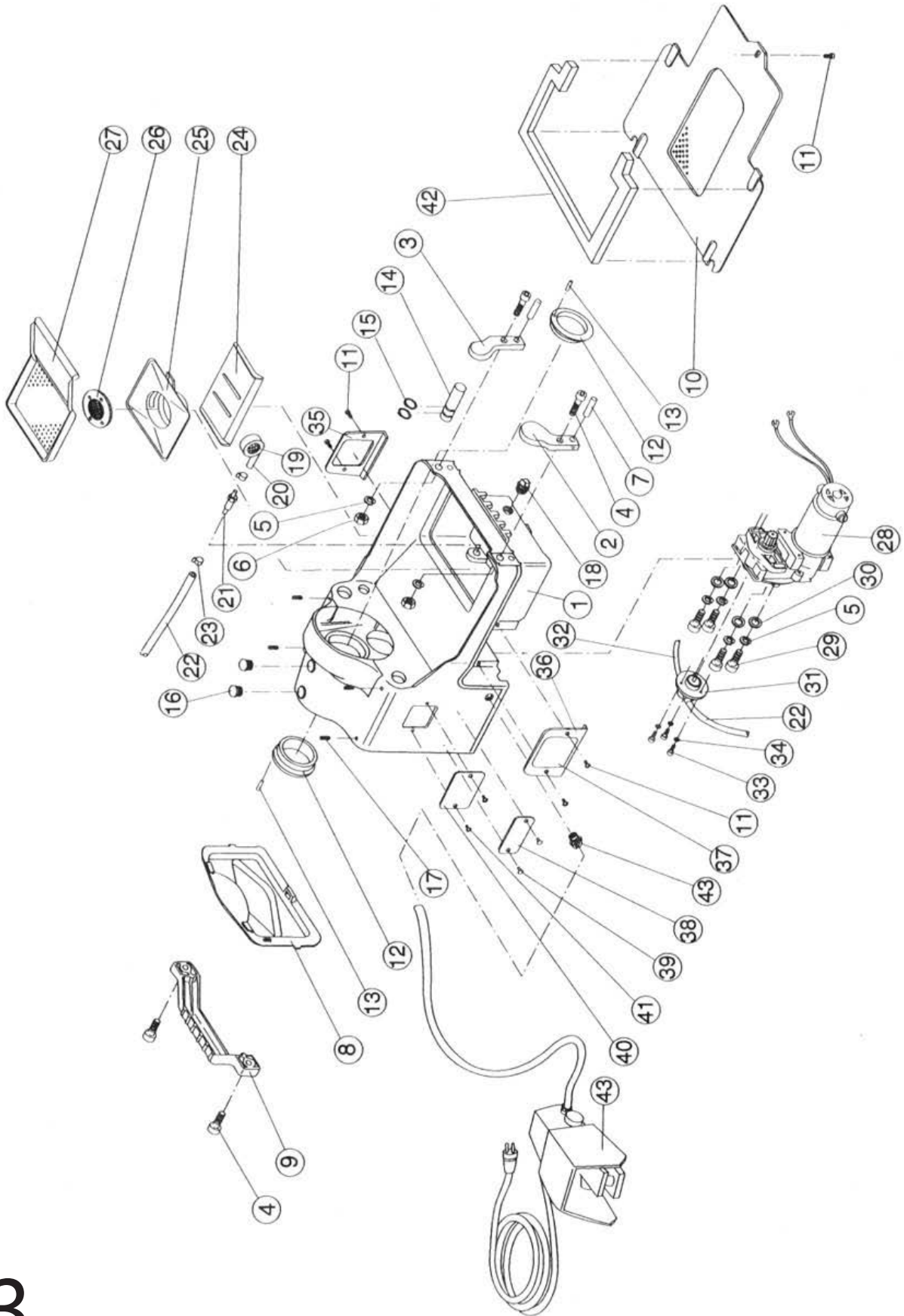


REX N40A (Motor)



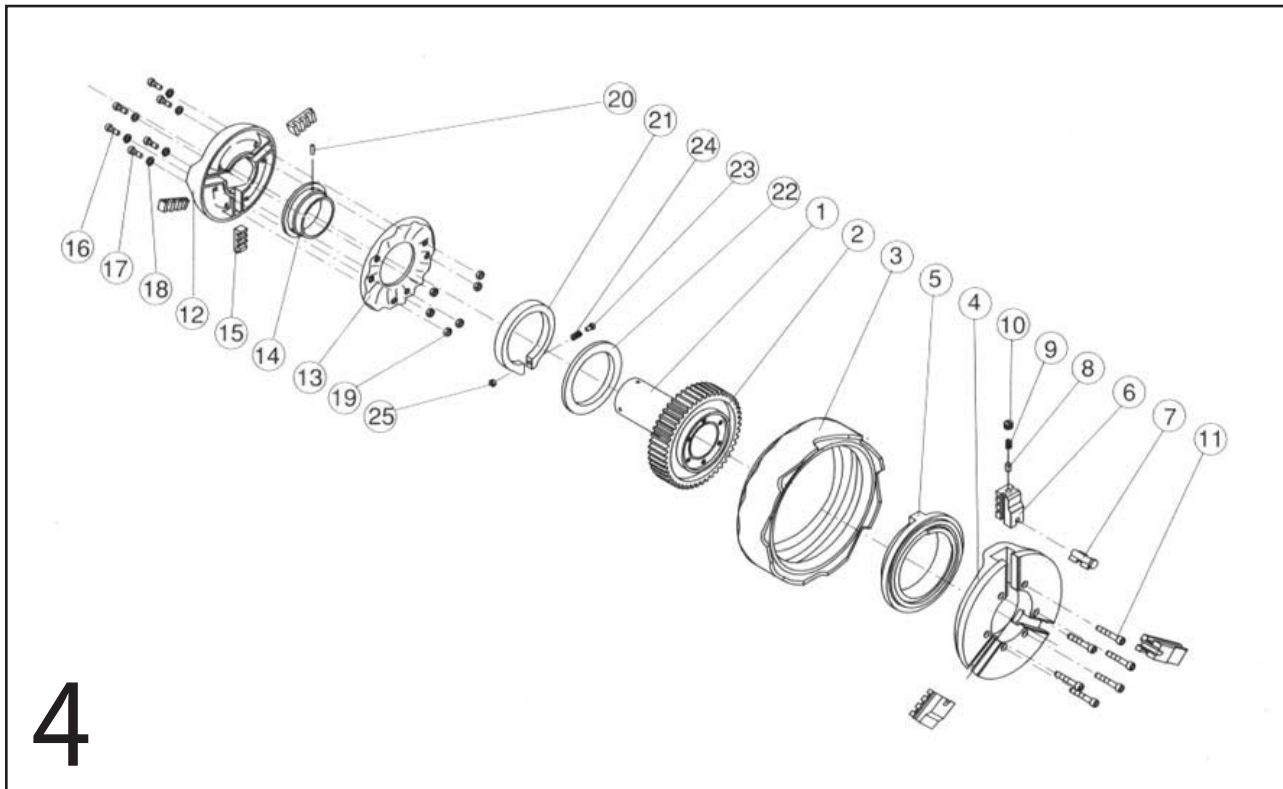
No.	Part No.	Part Name	Set		
1		Housing	1		
2		Cover (1)	1		
3		Cover (2)	1		
4		Round head machine screw (M4×8)	4		
5		Washer (4)	4		
6		Rubber bush	1		
7	GM 16	Carbon brush holder for 100V/220V	2		
8	GM 10	Carbon brush (auto-stop) for 100V/220V	1set		
9	GM 17	Carbon brush cap for 100V/220V	2		
10		Stop plate	2		
11		Internal wize assembly	2		
12		Round head machine screw (M5×20)	4		
13		Spring Washer (5)	11		
14	GM 08	Stator assembly - 220V	1		
	GM 05	Stator assembly - 100V	2		
15		Round head machine screw (M5×80)	1		
16		Air Vent	1		
17		Bearing (628ZZ)	1		
18	GM 04	Armature assembly - 220V	3		
	GM 01	Armature assembly - 100V	1		
19		Bearing (6201ZZ)	1		
20		Wave washer	3		
21		Gear cover	1		
22		Bearing (6200ZZ)	1		
23		First gear	1	} Set GM20	
24		Second pinyon	1		
25		Key (4×4×1)	1		
26		Third pinyon	1		
27		Key (5×5×12)	1		
28		Second gear	1		
29		Spindle	1		
30		Key (5×5×16)	1		
31		Bearing (6204ZZ)	1		
32		Snap ring (out side 20)	1		
33		Final gear	1		
34		Inner cover	1		
38		Spring pin	2		
39		Round head machine screw (M5×25)	5		
40					
41					



REX N40A (Base)

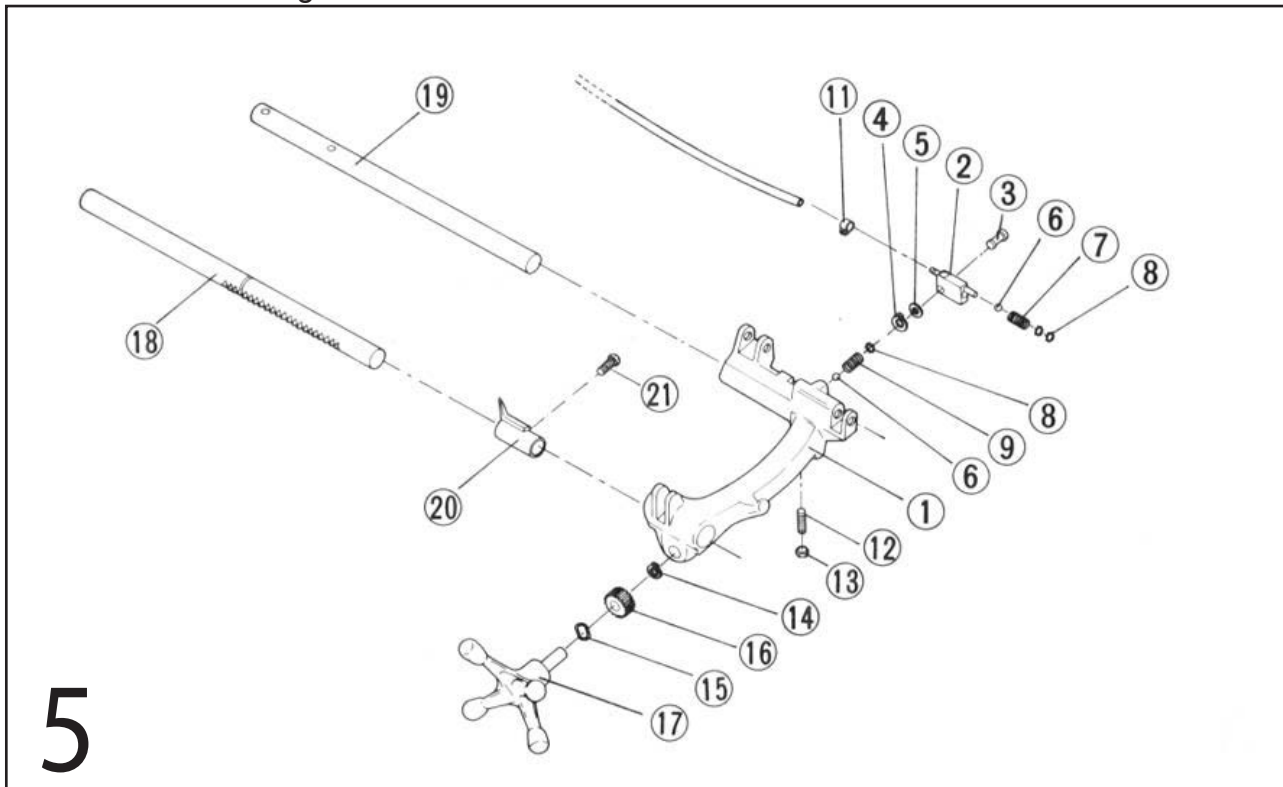
No.	Part No.	Part Name	Set	
1	G081	Base casting assembly	1	Set / G004 Gear cover
2	G013	Support (Left)	1	
3	G016	Support (Right)	1	
4		Socket head cap screw (M8×25)	4	
5		Spring washer (8)	6	
6		Nut (M8)	2	
7		Roll pin (6×20)	2	
8	G035	Rear cover	1	
9	G038	Rear grip	1	
10	G084	Bottom cover	1	
11		Round head machine screw (M5×10)	5	
12	G005	Main shaft bearing	2	
13		Pin (4×10)	2	
14	G045	Oil tube cover	1	
15		Snap ring (out side 16)	2	
16	N039	Oil cap	2	
17		Hex-socket set screw (cone M8×14)	4	
18		Drain plug (R1/2)	1	
19	N048	Strainer	1	Set Tapping screw (M5×8)
20	G049	Oil intake line suction tube A (60 φ)	1	
21	T056	Nipple	1	
22	G047	Oil intake line suction tube B (350 φ)	1	
23		Pipe band (10mm)	4	
24	G055	Oil pan	1	
25	G030	Tank upper cover	1	
26	N029	Oil filter	1	
27	G031	Scrap receiver	1	
28	G072	Motor (220V)	1	
	G070	Motor (100V)	1	
29		Socket head cap screw (M8×35)	4	
30		Spring washer	4	
31	9010	Gear pump (normal)	1	
32	G046	Oil feed line tube (620 φ)	1	
33		Socket head cap screw (M6×16)	3	
34		Spring washer (6)	3	
35	G036	Side cover	1	
36	G036	Side cover	1	
37	N126	Side cover level	1	
38		Name plate for CE	1	
39		Rivet (#4×5)	4	
40		Warning plate	1	
41		Rivet (#4×5)	1	
42	G085	Bottom cover sponge	1	
43	FSW1	Foot switch	1	with Cord bush
44				
45				
46				
47				
48				
49				
50				
51				
52				
53				
54				
55				
56				
57				
58				
59				
60				
61				
62				
63				
64				

REX N40A (Main shaft)



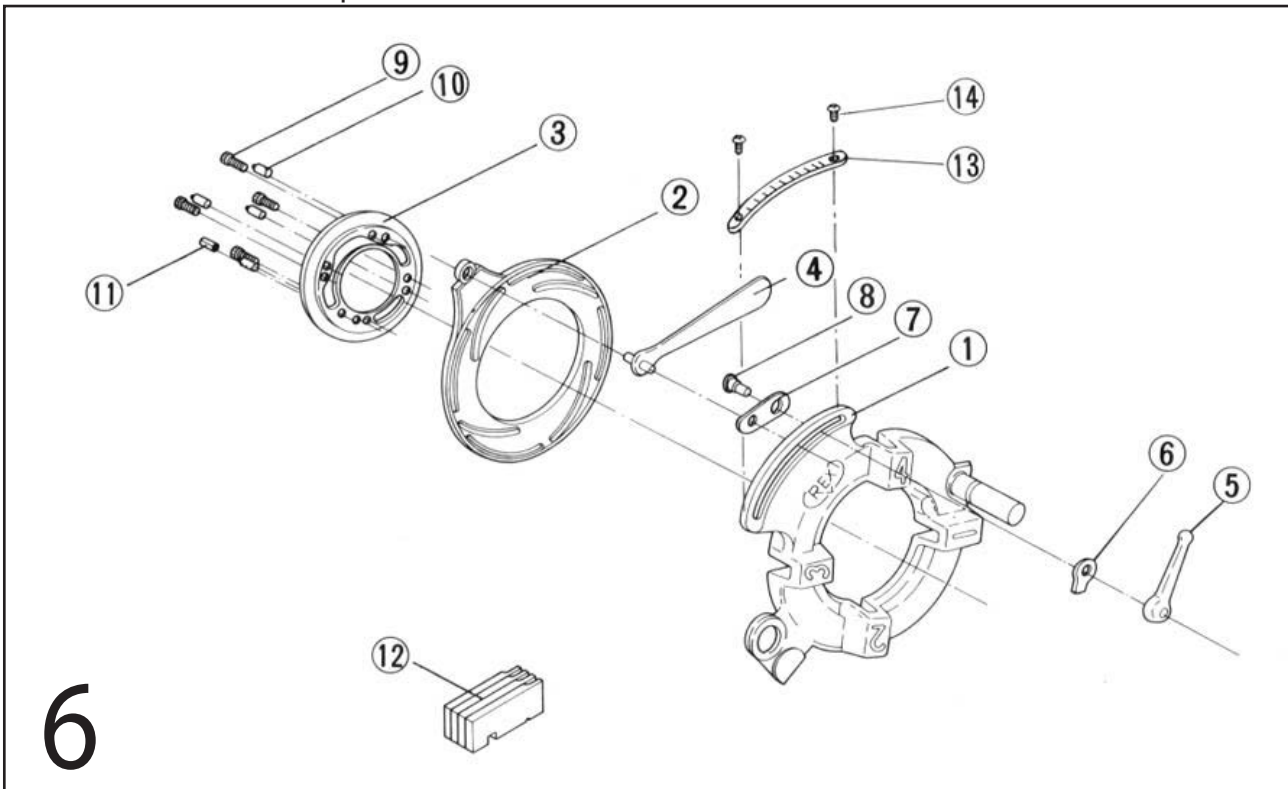
No.	Part No.	Part Name	Set	
1	G002	Main shaft	1	Set 02GS
2	G003	Main shaft gear	1	
3	G907	Head wheel	1	
4	GN00	Chuck body	1	Set G006 Chuck complete set (No.4~10) NS type
5	GS00	Chuck scroll	1	
6	G0CJS	Chuck jaw set (No.6~10)	3	
7	G0NS	Chuck jaw insert set (No.7~10)	3	
8		Spring retainer	3	
9		Spring	3	
10		Set screw	3	
11		Socket head cap screw (M6×45)	6	Set G086 Rear chuck complete set (No.12~19)
12		Rear chuck receptacle	1	
13	G0S3	Rear scroll	1	
14		Rear chuck cover	1	
15	G0SS	Rear chuck jaw	3	
16		Reamer screw (M4×14)	2	
17		Round head machine screw (M4×14)	4	
18		Spring washer (4)	6	
19		Nut (M4)	6	
20	1036	Joint pin	3	
21	G082	Self adjusting thrust ring	1	
22	G083	Thrust ring	1	
23		Socket head cap screw (M6×55)	1	
24		Spring	1	
25		U nut	1	
26				
27				
28				
29				
30				
31				
32				
33				
34				
35				
36				
37				
38				
39				
40				
41				
42				
43				

REX N40A (Carriage)



No.	Part No.	Part Name	Set	
1	G806	Carriage	1	Set N051 Oil cap
2	G044	Oil tube connector with No.3-8		
3	G033	Oil flow selector lever		
4		Snap ring (out side 10)	1	
5		O-ring (P7)	1	
6		Steel ball (8)	2	
7	T050	Spring	1	
8		Push nut (M10)	3	
9	5096	Spring (8×10)	1	
10				
11		Pipe band (12mm)	1	
12		Hex-socket set screw (cone M6×15)	1	
13		Nut (M6)	1	
14		Snap ring (out side 19)	1	
15		Wave washer (20)	1	
16	A515	Carriage feed gear	1	
17	G014	Carriage handle	1	Set G015 Feed gear shaft
18	G011	Carriage support bar A	1	
19	G012	Carriage support bar B	1	
20	G017	Security collar	1	
21		Round head machine screw (M5×10)	1	
22				
23				
24				
25				
26				
27				
28				
29				
30				
31				
32				
33				
34				
35				
36				
37				
38				
39				
40				
41				
42				
43				

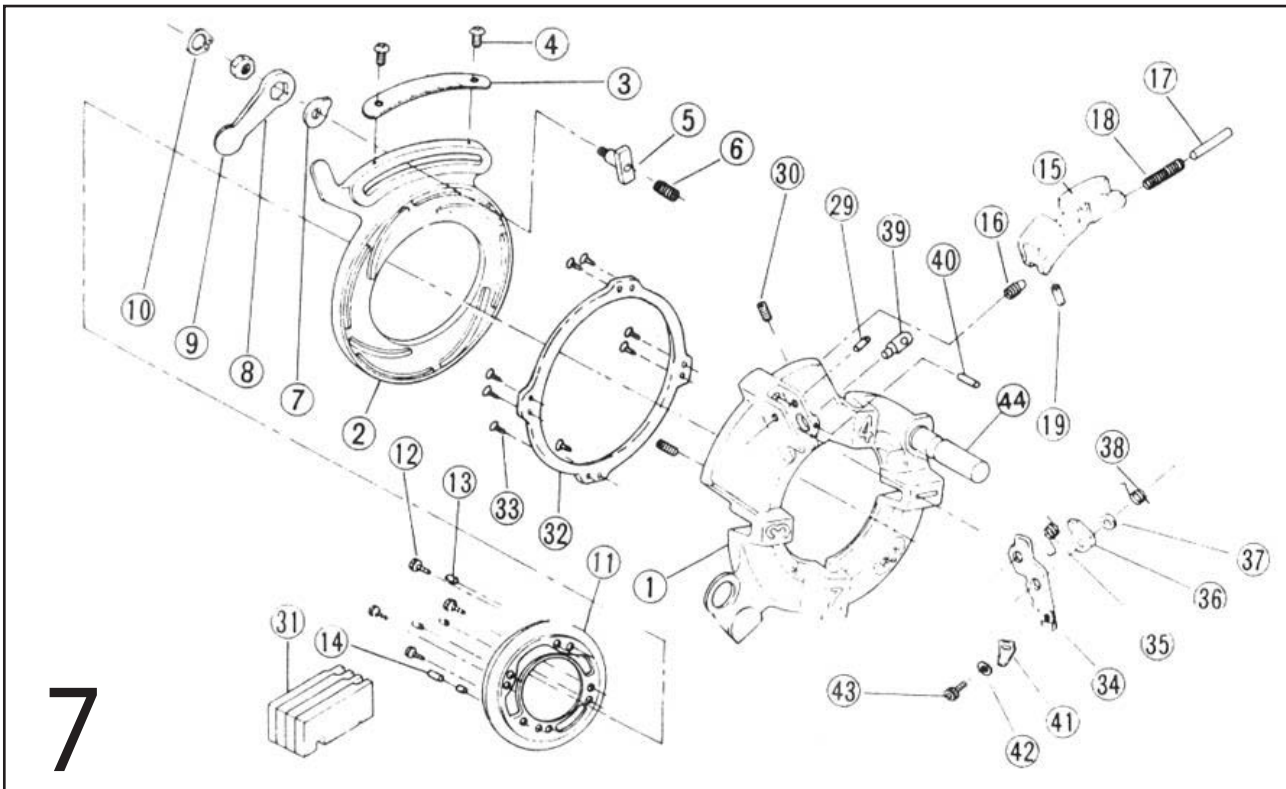
REX N40A (Manual open die head 1/2 - 1 1/2")



6

No.	Part No.	Part Name	Set	
1	G801	Universal die head body	1	Set G812 Die head post
2	G804	Cam plate	1	
3	G805	Universal retaining ring	1	
4	2361	Eccentric handle	1	
5	2377	Lever nut	1	
6	2381	Eccentric washer	1	
7	2371	Eccentric link	1	
8	2386	Eccentric screw	1	
9		Socket head cap screw (M6x16)	4	
10	G865	Dies notch	4	
11		Roll pin (5x14)	1	
12	161907	Dies (BSPT 27mm, Alloy) (1/2~3/4")	1set	
	161910	Dies (BSPT 27mm, Alloy) (1~1 1/2")	1set	
13		Size plate	1	
14		Truss screw (M4x6)	2	
15				
16				
17				
18				
19				
20				
21				
22				
23				
24				
25				
26				
27				
28				
29				
30				
31				
32				
33				
34				
35				
36				
37				
38				
39				
40				

REX N40A (Uni-auto V die head 1/2 - 1 1/2")



No.	Part No.	Part Name	Set	
1	G900	Die head body	1	Set G812 Die head post
2	G802	Cam plate	1	
3	G830	Size plate	1	
4		Truss screw (M4X6)	2	
5	G811	Cam plate fixed pin	1	
6	N722	Spring	1	
7		Washer (12)	1	
8	N705	Lever nut	1	
9	N707	Nut	1	
10		Snap ring (out side 20)	1	
11	G805	Retaining ring	1	
12		Socket head cap screw (M6X16)	4	
13	G860	Dies notch	4	
14		Roll pin (5X14)	1	
15	G820	Opening block	1	
16	7698	Spring	1	
17	7735	Spring guide	1	
18	7697	Spring	1	
19		Roll pin (6X18)	1	
29	N714	Lever pin	1	
30		Hex-socket set screw (M8X6)	2	
31	161907	Dies (BSPT 27mm, Alloy) (1/2~3/4")	1set	
	161910	Dies (BSPT 27mm, Alloy) (1~1 1/2")	1set	
32	G880	Die head ring	1	
33		Flat head cap screw (M4X10)	8	
34	G865-b	Auto-open lever (part A)	1	
35	7696	Lever spring	1	
36	7753	Guide plate	1	
37	G868	Guide plate collar	1	
38	7739	Cam plate spring	1	
39	G867	Guide plate pin	1	
40		Roll pin (4X12)	1	
41	G866	Auto-open lever (part C)	1	
42		Washer (6)	1	
43		Socket head cap screw (M6X10)	1	
44	7713	Die head post	1	
	0786	Auto-open lever complete set (No.34,41,42,43)		

