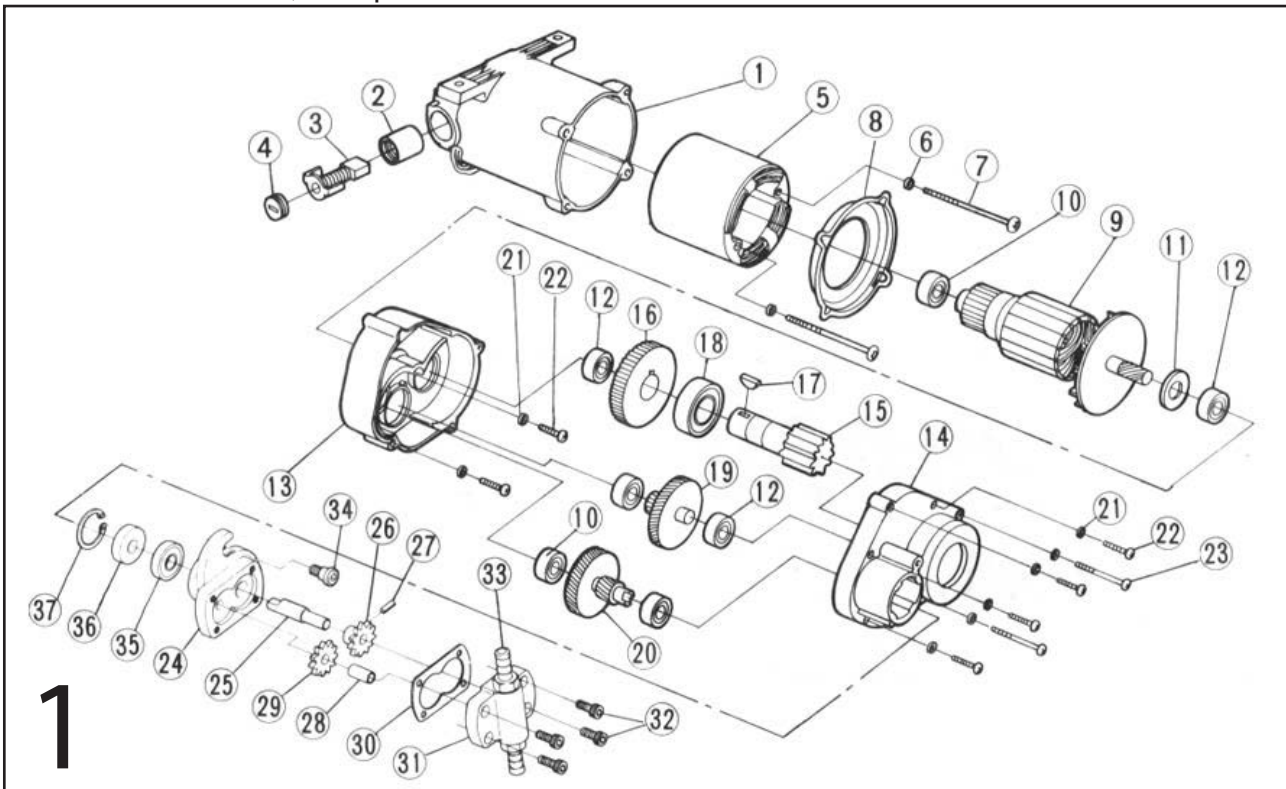
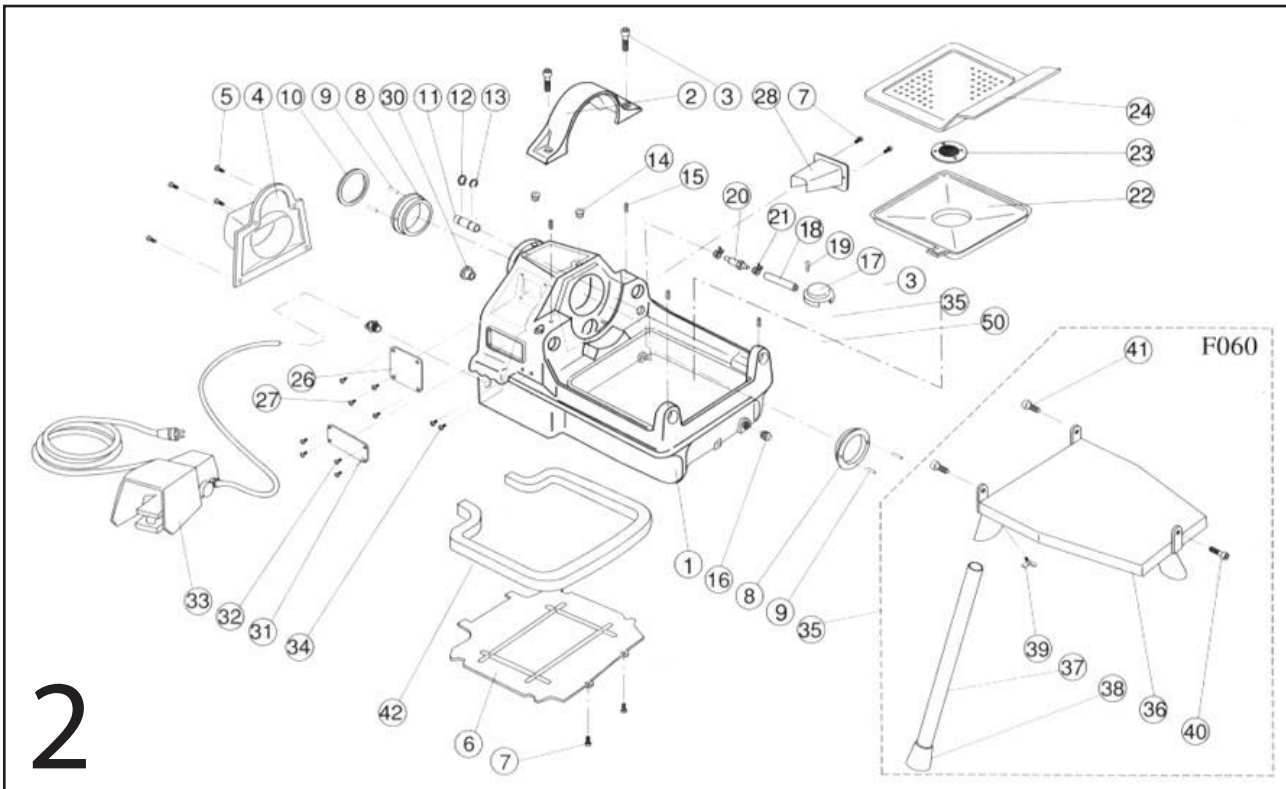


REX N80A (Motor, Pump)



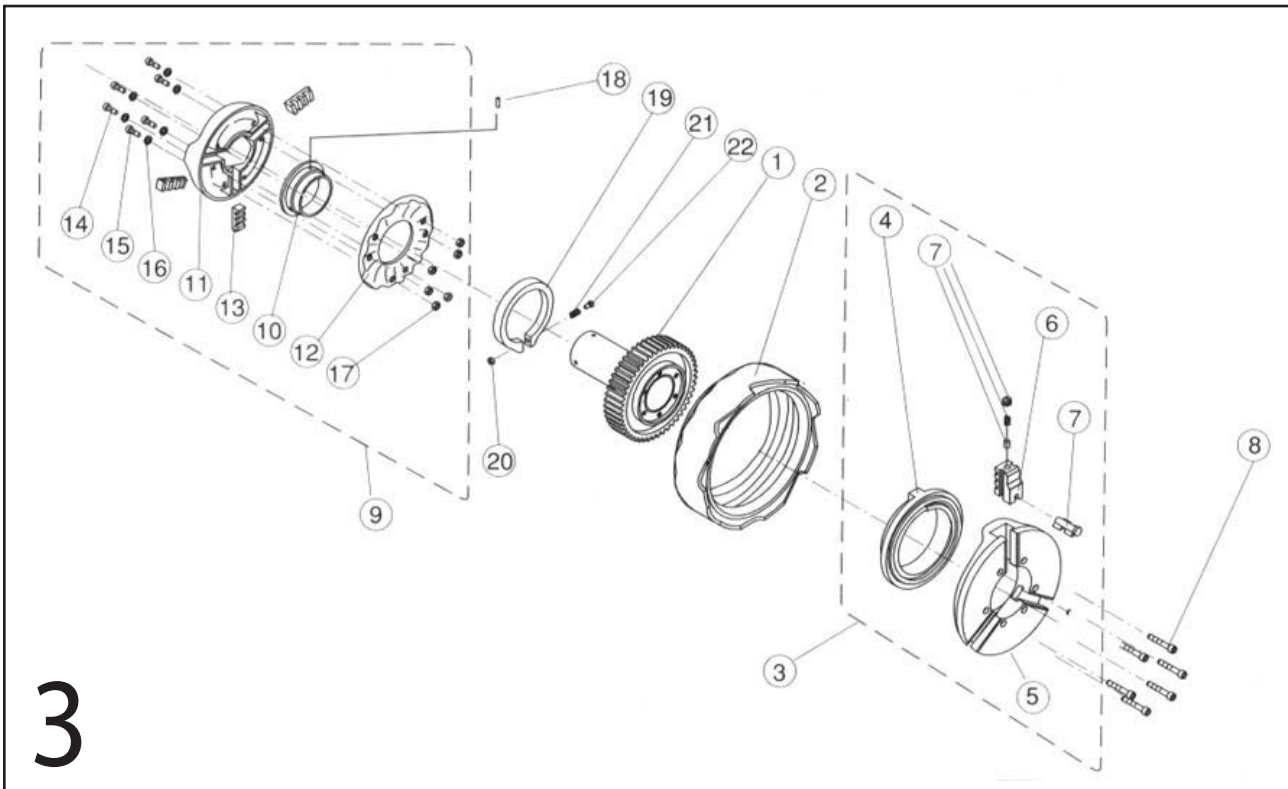
No.	Part No.	Part Name	Set		
1	FM25	Housing	1		
2	FM16	Carbon brush holder X096 100V/220V	2		
3	FM10	Carbon brush (auto-stop)	1set		
4	FM17	Carbon brush cap	2		
5	FM08	Stator assembly - 220V	1		
	FM05	Stator assembly - 100V	1		
6		Washer (φ5)	2		
7		Round head machine screw (M5×65)	2		
8	FM27	Fan guide	1		
9	FM04	Armature assembly - 220V	1		X096
	FM01	Armature assembly - 100V	1		
10		Bearing (#6200ZZ)	2		
11		Washer (T1.6)	1		
12		Bearing (#6201ZZ)	5		
13	FM28	Inner cover	1		
14		Gear cover for motor	1		
15		Spindle	1		
16	NM23	Final gear M321-2C, M319-5	1		
17		Woodruff key (4×16×6.5)	1		
18		Bearing (#6304ZZ)	1		
19	FM22	Third pinyon gear	1		
20	FM20	Second pinyon gear	1		
21		Spring washer (φ5)	8		
22		Round head machine screw (M5×25)	6		
23		Round head machine screw (M5×65)	2		
24		Pump body	1		
25		Shaft	1		
26		Pump gear A	1		} Set
27		Roll pin (φ2×10)	1		
28		Pin	1		
29		Pump gear B	1		
30		Gasket	1		
31		Rear cover	1		
32		Socket head cap screw (M4×10)	4		
33	1035	Joint	2		
34		Stop pin	1		
38		Bearing (#608)	1		
39		Oil seal (SC8227)	1		
41		Snap ring (in side 22)	1		
42					
43	FM14	Internal wire assembly stop plate			
44					
45					

REX N80A (Base)



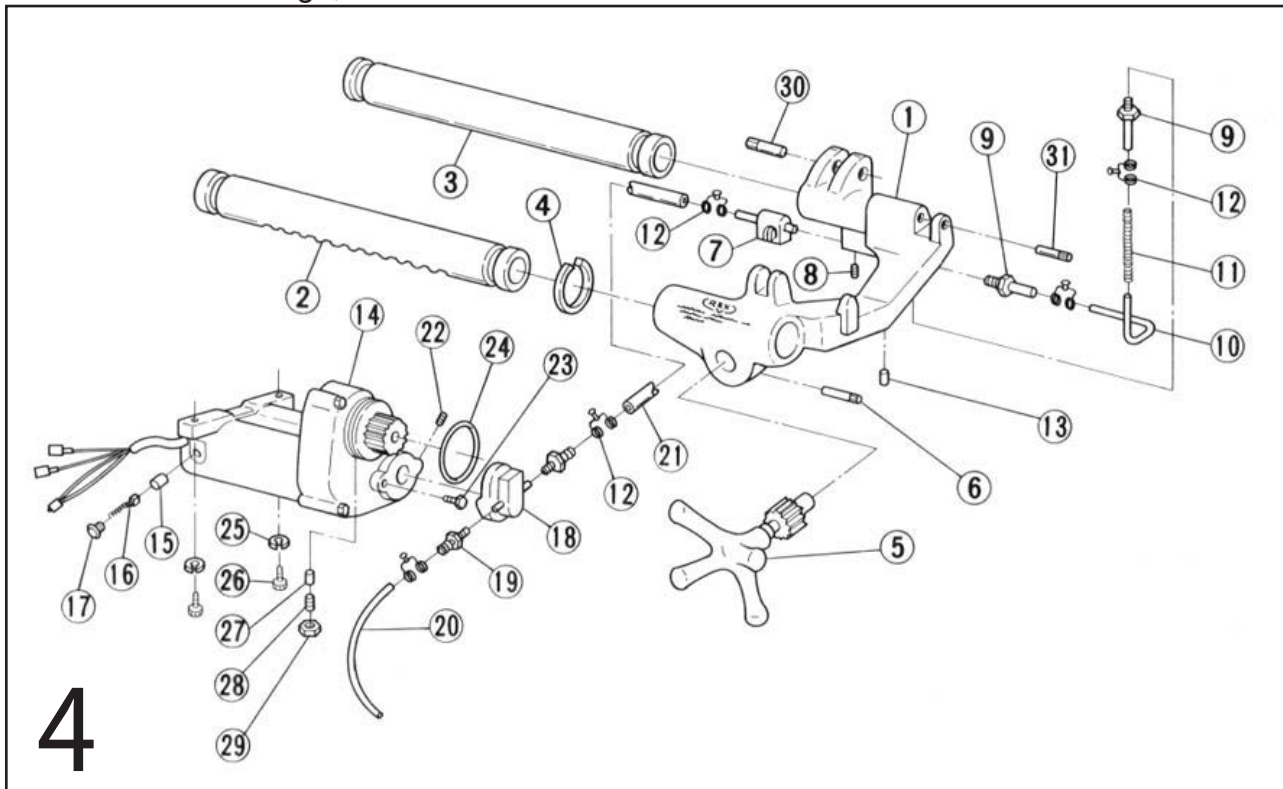
No.	Part No.	Part Name	Set		
1	F090	Base casting assembly	1		
2	F002	Gear cover for base casting assembly	1		
3		Socket head cap screw (M8X20)	2		
4	F003	Rear cover	1		
5		Socket head cap screw (M6X14)	4		
6	F086	Bottom cover	1		
7		Round head machine screw (M5X8)	4		
8	4905	Main shaft bearing	2		
9		Roll pin (4X10)	4		
10	F009	Thrust ring	1		
11	F022	Oil tube cover	1		
12		Snap ring (out side 16)	1		
13		Retaining ring (16)	1		
14	N039	Oil cap	2		
15		Hex-socket set screw (cone M8X20)	4		
16		Drain plug (R1)	1		
17	4047	Strainer	1		80ADX
18		Oil intake line suction tube A (100mm)	1		
19		Round head tapping screw (M5X10)	1		80ADX
20	T056	Nipple	1		
21		Pipe band S (10mm)	2		
22	F018	Tank upper cover	1		
23	N029	Oil filter	1		
24	F016	Scrap receiver	1		
25					
26		Warning plate	1		80ADX
27		Round head tapping screw (M4X8)	2		80ADX
28	F015	Side cover	1		
29		Clamp (NK-6N)	1		
30	F027	Cap	1		
31		Name plate for CE	1		
32		Round head tapping screw (M4X8)	4		
33	FSW1	Foot switch	1		with Cord bush
34		Flat head machine screw (M5X14)	2		
35	02FY	Pipe stand complete set	1set		
36	F060	Stand base	1		
37	N121	Pipe stand	3		
38	N125	Leg cap	3		
39		Wing screw (M8X20)	3		
40		Socket head cap screw (M8X25)	1		
41		Socket head cap screw (M8X16)	2		
42	F085	Bottom cover sponge	1		
43					

REX N80A (Main shaft)



No.	Part No.	Part Name	Set	
1	02FJ	Main shaft complete set	1set	Set F006 Main shaft gear, F007 Main shaft
2	F080	Head wheel	1	
3	4980	Chuck complete set S	1set	
4	FS00	Chuck scroll	1	
5	FH01	Chuck body S	1	
6	4JCJS	Chuck jaw set S	(1set 3pcs.) 1set	
7	70KS	Chuck jaw insert set S	(1set 3pcs.) 1set	
8		Socket head cap screw	(M7×54) 6	
9	F084	Rear chuck complete set	1set	
10	F0S3	Rear scroll	1	
11	F0S1	Rear chuck receptacle	1	
12	F0S2	Rear chuck cover	1	
13	FOSS	Rear chuck jaw	(1set 3pcs.) 1set	
14		Reamer screw	(M5×15) 2	
15		Round head machine screw	(M5×15) 4	
16		Spring washer	(5) 6	
17		Nut	(M5) 6	
18		Roll pin	(6×12) 3	
19	F008	Self adjusting thrust ring	1	
20		U nut	(M6) 1	
21		Spring	( 23) 1	
22		Torx socket head cap screw	(M6×55) 1	
23				
24				
25				
26				
27				
28				
29				
30				
31				
32				
33				
34				
35				
36				
37				
38				
39				
40				
41				
42				
43				

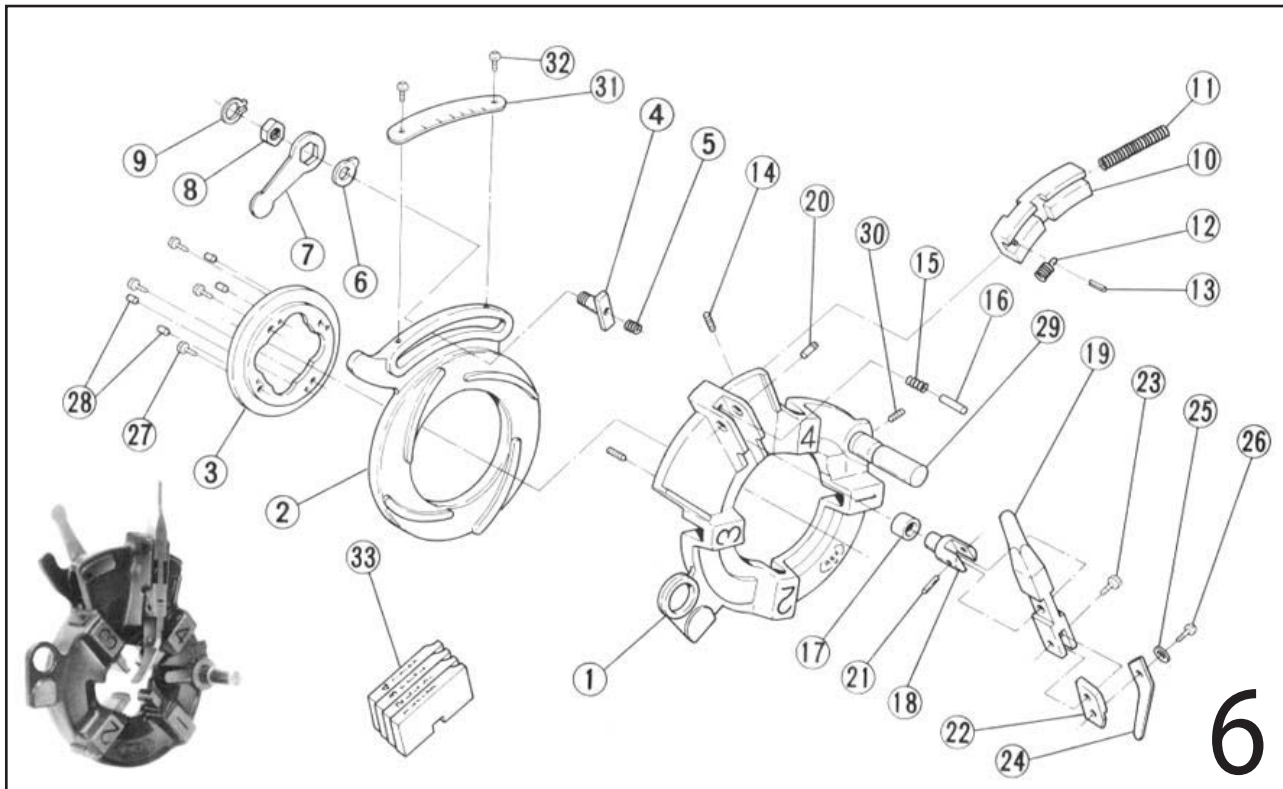
REX N80A (Carriage, Motor)



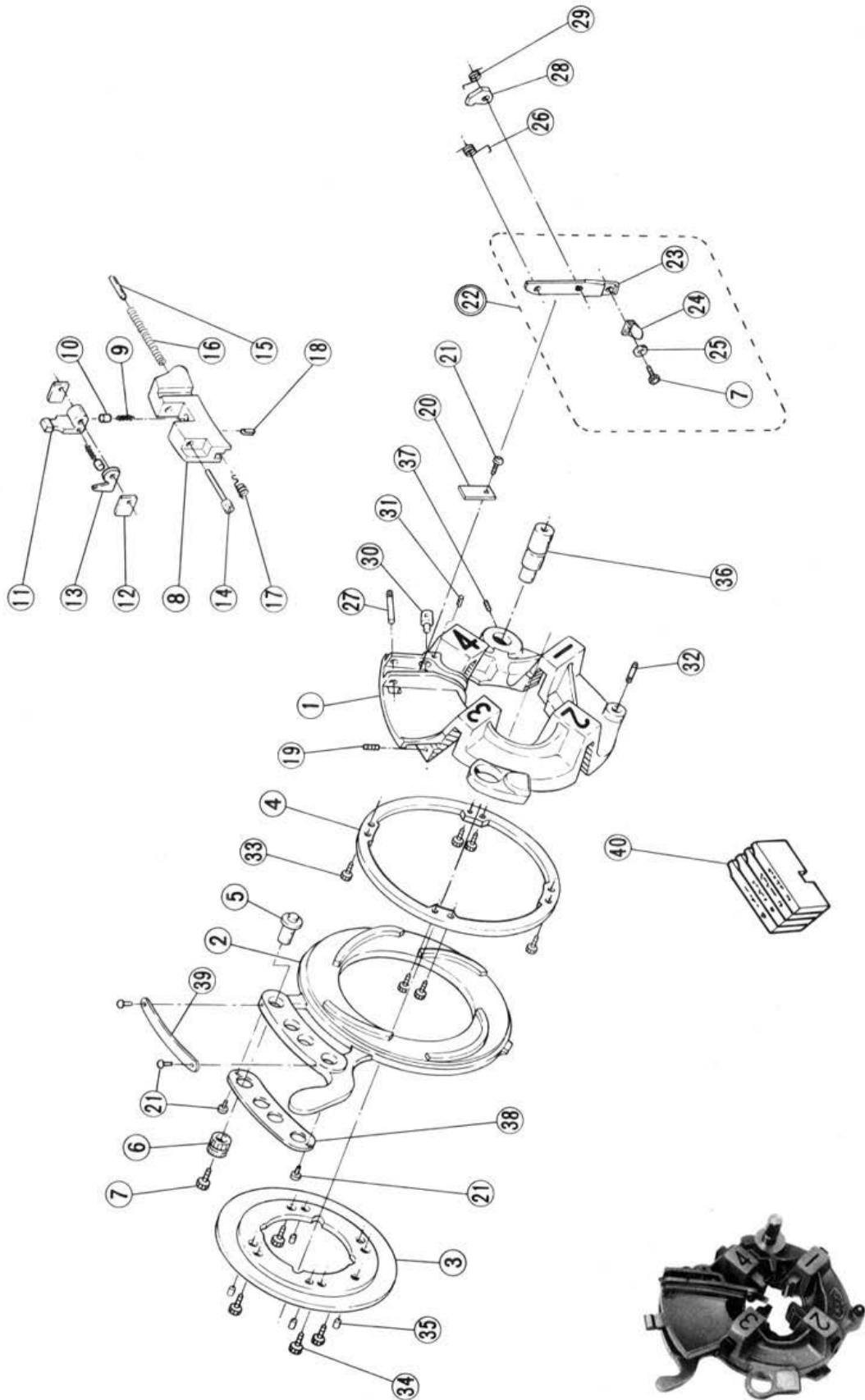
No.	Part No.	Part Name	Set		
1	F004	Carriage	1		
2	F010	Carriage support bar A	1		
3	F011	Carriage support bar B	1		
4	F081	Carriage support collar	1		
5	F013	Carriage handle	1		
6		Pin (5X35)	1		
7	G044	Oil tube connector	1		
8		Hex-socket set screw (M5X10)	1		
9	F032	Nipple	2		
10		Tube (120mm)	1		
11	F033	Spring (110)	1		
12		Pipe band S (10mm)	5		80ADX
13		Oil notch	1		
14	F062	Motor (Series motor-220V)	1		
15	F061	Motor (Series motor-100V)	1		
16	FM16	Carbon brush holder (1set 2pcs.)	1set		80ADX
17	FM10	Carbon brush (auto-stop) (1set 2pcs.)	1set		80ADX
18	FM17	Carbon brush cap (1set 2pcs.)	1set		80ADX
19	F021	Gear pump	1		
20	1035	Joint	2		80ADX
21		Oil intake line suction tube B (550mm)	1		
22		Oil feed line tube (700mm)	1		
23		Hex-socket set screw (M8X14)	1		
24		Hexagon head screw (M6X55)	1		
25		O-ring (S-63)	1		
26		Spring washer (8)	2		
27		Socket head cap screw (M8X25)	2		
28	1013	Motor fixed pin	1		80ADX
29		Hex-socket set screw (half dog M8X22)	1		80ADX
30		Jam nut (M8)	1		80ADX
31	1076	Cutter arm stop pin	1		80ADX
	1096	Reamer arm stop pin	1		80ADX
32					
33					
34					
35					
36					
37					
38					
39					
40					
41					
42					



REX N80A (Uni-auto V die head 1/2 - 2")



No.	Part No.	Part Name	Set		
1	N701	Die head body	1		
2	N702	Cam plate	1		
3	N703	Retaining ring	1		
4	N706	Cam plate fixed pin	1		
5	N722	Spring	1		
6		Eccentric washer	1		
7	N705	Lever nut	1		
8	N707	Nut	1		
9		Snap ring	1		
10	N704	Opening block	1		
11	7697	Spring	1		
12	N720	Spring	1		
13		Roll pin (φ6×16)	1		
14	N717	Stop screw	2		
15	N718	Spring	1		
16	N708	Spring guide	1		
17	N710	Auto-open pin collar	1		
18	N709	Auto-open pin	1		
19	N711	Open lever	1		
20	N714	Lever pin	1		
21	N716	Straight pin	1		
22	N712	Auto-open link	1		
23		Socket head cap screw (M8×16)	1		
24	N713	Auto-open lever C	1		
25		Washer (φ8)	1		
26		Socket button head cap screw (M8×10)	1		
27		Socket head cap screw (M6×16)	4		
28	G865	Dies notch	4		
29	7713	Die head post	1		
30		Socket head cap screw (M6×6)	1		
31	N721	Size plate	1		
32		Truss screw (M4×15)	2		
33	161907	Dies (BSPT 27mm, Alloy) (1/2~3/4")	1set		
34	16K030	Dies (BSPT 27mm, Alloy) (1~2")	1set		
35					
36					
37	292420	Complete die head Uni-auto V			



REX N80A (Self-opening die head 1/2~3/4", 1~2", 2<sup>1</sup>/<sub>2</sub> ~ 3")

No.	Part No.	Part Name	Set		
1	7723	Die head body (1/2~3/4")	1		
	7721	Die head body (1~2")	1		
	7720	Die head body (2 1/2~3")	1		
2	7727	Cam plate (1/2~3/4")	1		
	7725	Cam plate (1~2")	1		
	7724	Cam plate (2 1/2~3")	1		
3	7729	Retaining ring (1/2~3/4")	1		
	N703	Retaining ring (1~2")	1		
	7728	Retaining ring (2 1/2~3")	1		
4	7683	Die head ring (1/2~3/4")	1		
	7646	Die head ring (1~2")	1		
	7645	Die head ring (2 1/2~3")	1		
5	7692	Crank pin	2(4)		
6	7693	Size adjustment knob	2(4)		
7		Socket head cap screw (M6X10)	3(5)		
8	7741	Opening block (1/2~3/4") (1~2")	1		
	7740	Opening block (2 1/2~3")	1		
9	7752	Spring	1(2)		
10	7790	Notch pin	1(2)		
11	7690	Size setting lever	1		
12	7743	Size adjustment plate	2		
13	7700	Pin stop plate (2 1/2~3")	1		
14	7742	Retaining pin	1		
15	7735	Spring guide	1		
16	7697	Spring	1		
17	7698	Spring	1		
18		Roll pin (6X23)	1		
19		Hex-socket set screw (M8X18)	2		
20	7753	Steel stop screw	1		
21		Rivet (φ4X5)	5		
22	0795	Auto-open lever set (1/2~3/4")	1set		
	0794	Auto-open lever set (1~2")	1set		
	0793	Auto-open lever set (2 1/2~3")	1set		
23	7792	Auto-open lever (part A) (1/2~3/4") (1~2")	1		
	7791	Auto-open lever (part A) (2 1/2~3")	1		
24	7795	Auto-open lever (part C) (1/2~3/4")	1		
	7794	Auto-open lever (part C) (1~2")	1		
	7793	Auto-open lever (part C) (2 1/2~3")	1		
25		Washer (6)	1		
26	7696	Lever spring	1		
27	N714	Lever pin	1		
28	7753	Guide plate (1/2~3/4")	1		
	7736	Guide plate (1~2")	1		
	7755	Guide plate (2 1/2~3")	1		
29	7739	Cam plate spring	1		
30	7737	Guide plate pin L	1		
31		Roll pin (4X12)	1		
32	7689	Stop pin	1		
33		Socket head cap screw (M4X12)	8		
34		Socket head cap screw (M6X16)	4		
35	G865	Dies notch	4		
36	7713	Die head post	1		
37		Hex-socket set screw (M6X6)	1		
38		Adjustment plate (1/2~3/4")	1		
		Adjustment plate (1~2")	1		
		Adjustment plate (2 1/2~3")	1		
39		Size plate (1/2~3/4")	1		
		Size plate (1~2")	1		
		Size plate (2 1/2~3")	1		
40	161907	Dies (BSPT 27mm, Alloy) (1/2~3/4")	1set		
	16B430	Dies (BSPT 27mm, Alloy) (1~2")	1set		
	16B450	Dies (BSPT 27mm, Alloy) (2 1/2~3")	1set		
	292850	Complete die head (1/2~3/4")			
	292020	Complete die head (1~2")			
	292030	Complete die head (2 1/2~3")			





